

CONSTITUTION AND RULES

BOOK 4



Fédération Internationale de Tir à l'Arc

2004

CONSTITUTION AND RULES

BOOK 4



Fédération Internationale de Tir à l'Arc

2004



CONSTITUTION AND RULES

- BOOK 1 CONSTITUTION - ADMINISTRATION**
- BOOK 2 OUTDOOR TARGET ARCHERY**
- BOOK 3 INDOOR TARGET ARCHERY**
- BOOK 4 FIELD ARCHERY**
- BOOK 5 SKI-ARCHERY
 MISCELLANEOUS ROUNDS**

This edition contains all laws and by-laws approved by Congress through July 13th, 2003. There may be additional by-laws and interpretations after this date as well as amendments to the by-laws which may affect this edition. Please check the FITA website (www.archery.org) for a listing of all new by-laws, by-law amendments and interpretations which may be in force.

Adopted at the FITA Congress 1959, incorporating amendments approved at FITA Congresses 1961, 1963, 1965, 1967, 1969, 1971, 1972, 1973, 1975, 1976, 1977, 1979, 1980, 1981, 1983, 1985, 1987, 1989, 1991, 1993, 1995, 1997, 1999, 2001 and 2003.

Effective April 1st, 2004

TABLE OF CONTENTS BOOK 4

FITA CONSTITUTION AND RULES

Article

Page No

BOOK 4 - FIELD ARCHERY

CHAPTER 9 – PREFACE

Summary of Book 1 related to Field Archery

1.30	Responsibility	i
2.1	Admission.....	i
2.2	Eligibility Code	ii
2.3	Medical Provisions	ii
2.4	National Teams	iii
3.7	Entries.....	iii
3.8	Accreditation	iv
3.13	Jury of Appeal	v
3.15	Team Officials.....	v
3.19	Practice	vi
3.22	Dress Regulations	vii
4.2	Classes	viii
4.3	Divisions.....	viii
4.4	Categories.....	ix
4.5.3	Field Archery Rounds	x
4.7	FITA Events	xiv
4.8	Official Recognition of Tournaments.....	xiv
6.3	FITA Performance Awards	xv
6.4	Events for FITA Performance Awards	xvi
Appendix 5 – Anti-Doping Rules		xvii
	Scope	xvii
20	FITA Anti-Doping Agreement	xviii
Appendix 8 - Sample Entry Forms.....		xix
7.	Field Archery Championships (Preliminary)	xix
8.	Field Archery Championships	xx

BOOK 4 - FIELD ARCHERY

CHAPTER 9 - FIELD ARCHERY ROUNDS

9.1	Range Layout	1
9.2	Venue Equipment	3

TABLE OF CONTENTS BOOK 4

FITA CONSTITUTION AND RULES

Article		Page No
9.3	Athletes' Equipment	4
9.4	Shooting	10
9.5	Order of Shooting and Timing Control	11
9.6	Scoring	13
9.7	Shooting Control and Safety	16
9.8	Consequences of breaking rules	17
9.9	Judging	19
9.10	Questions and Disputes	20
9.11	Appeals.....	21

APPENDIX 1 BOOK 4 - VENUE EQUIPMENT

1. COMPETITION – SEEDING DIAGRAM

1.	Matchplay Chart	23
----	-----------------------	----

2 VENUE EQUIPMENT

1.	Field Faces	24
----	-------------------	----

APPENDIX 2 BOOK 4 - ATHLETES' EQUIPMENT

1.	Arrow	27
2.	Compound Bow	27
3.	Recurve Bow	28

ASSOCIATE MEMBERS

MEMBER ASSOCIATIONS with Acronyms

ADDENDUM

List of Changes - Explanations

EDITION

BOOK 4

Field Archery

Rules

This edition contains all laws and by-laws approved by Congress through July 13th, 2003. There may be additional by-laws and interpretations after this date as well as amendments to the by-laws which may affect this edition. Please check the FITA website (www.archery.org) for a listing of all new by-laws, by-law amendments and interpretations which may be in force.

CHAPTER 9**PREFACE****SUMMARY OF BOOK1: Rules related to Field Archery****1.31 RESPONSIBILITY**

- 1.31.1 FITA shall in no circumstances accept liability for damages resulting from injury to spectators or to members of any Member Association or from the damage to or loss of property while participating in or attending any championship, tournament or other function organized, sponsored or recognized by FITA.

2.1 ADMISSION

- 2.1.1 Athletes in archery who wish to participate in Championships, Games, International and National Tournaments, which are recognized, controlled or directed by FITA or a Member Association, who practice the sport in one or more of the various disciplines adopted by FITA, and in accordance with the established laws and bylaws governing archery within FITA, must be affiliated to a Member Association.
- 2.1.2 To be eligible to participate in the FITA Championships, Awards and World Record Tournaments and such other events as FITA may recognize and specify, athletes must comply with laws and bylaws laid down in the FITA Eligibility Code.
- 2.1.3 To be eligible to participate in the Olympic Games and Regional or Area Games, an athlete must comply with the Olympic Charter of the International Olympic Committee and its Bye-Laws (see Appendix7) and the FITA Eligibility Code.
- 2.1.4 Participation in events organized by any individual or association not affiliated to FITA is permitted. The Executive Committee reserves the right to prohibit participation in any event which it determines is prejudicial to the best interest of FITA. Notice of any such prohibitions will be given to Member Associations prior to such event.
- 2.1.5 No athlete or official who has been declared Ineligible may, during the period of Ineligibility, participate in any capacity in an Event or activity authorized or organized by FITA or any Member Association.

BOOK 4

FITA CONSTITUTION AND RULES

2.2 ELIGIBILITY CODE (see Appendix7 of Book1)

- 2.2.1 Athletes will respect the spirit of fair play and non-violence, and behave accordingly on the sports field.
- 2.2.2 Athletes will refrain from using substances and procedures prohibited by the laws of FITA, the IOC and WADA and will respect and comply in all aspects with the FITA and the World Anti-Doping Code.
- 2.2.3 An athlete may allow his or her person, name, picture or sport performances to be used for advertising purposes and may accept prizes and/or money without any restriction or limit (see Appendix7 Bye-Law to Rule 45 article 4).
- 2.2.4 Athletes will comply with the requirements of FITA sponsorship contracts during FITA Championships.
- 2.2.5 Tobacco and Alcohol advertising and sponsorship are forbidden at FITA World Championships.
- 2.2.6 Athletes may wear advertising in addition to the normal manufacturer trademarks of the articles worn. The manufacturers trademark is the registered mark of the company which produced the item. If a company has an item made for it under contract, the label of the item, if appropriate to the item, will correspond to its trademark.
- 2.2.7 Athletes may have advertising on their personal and technical equipment (e.g. bows, bags, etc.) in addition to the item's normal trademark.
- 2.2.6.1 *All advertising referred to in articles 2.2.5 and 2.2.6 above must not exceed 400 square cm per item. The archers' Registration numbers are not covered by this article.*
- 2.2.6.2 *All trademarks referred to in articles 2.2.5 and 2.2.6 above must not exceed 30 square cm except trademarks on bows and stabilizers.*
- 2.2.8 Provisions under articles 2.2.5, 2.2.6, 2.2.6.1 and 2.2.6.2 are also to be observed by all team officials present on the shooting field.

2.3 MEDICAL PROVISIONS (see Appendix5 of Book1)

- 2.3.1 Athletes competing in or preparing for Championships, Games, International and National Tournaments recognized, controlled and directed by FITA must agree to submit to a duly authorized doping control or any other medical test or examination decided by FITA.
- 2.3.2 The FITA medical provisions are intended to safeguard the health of the athlete, and to ensure respect for the ethical concepts implicit in fair play, the Olympic spirit and medical practice.
- 2.3.2.1 *The Gender verification test for all female athletes is carried out at the Olympic Games in accordance with the decisions and instructions of the IOC Medical Commission. The results of this test are not to be made public.*

2.3.2.2 *FITA may require an athlete to produce a medical certificate to confirm her eligibility in a women's competition.*

2.3.3 All participants in FITA Championships and International Tournaments have a right to medical care, to at least the standard received in the home country.

2.4 NATIONAL TEAMS

2.4.1 To be eligible to participate as a member of a National Team in the Olympic Games, Regional or Area Games, FITA Championships, Award and World Record Tournaments and such other events as FITA may recognize and specify, an athlete must have in his or her possession a valid passport from the country of which he or she is a National Team Member and must not have represented any other Member Association as a National Team Member for at least one year before the date of the competition.

2.4.2 If an athlete wants to become a member of a different National Team he or she must have resided in the new country for at least one year before the date of the competition and must have the written permission of the Member Association, if any, of the country from which he or she has a valid passport.

2.4.3 An athlete who has changed his or her nationality, or acquired a new nationality, may not represent his or her new country until 1 year after such a change or acquisition.

2.4.4 An athlete who is a national of two or more countries at the same time may represent either of them, as he or she chooses. He or she must, however, meet the conditions laid down in articles 2.4.1, 2.4.2 and 2.4.3 above.

3.7 ENTRIES (see Appendix 8.1 - 8 of Book 1 – Entry forms)

3.7.1 All Member Associations in good standing (see Appendix 1 of Book 1, article 3.1.6 definition) may enter athletes.

3.7.1.1 *Member Associations wishing to enter athletes in a FITA Championship will return the completed entry forms to the Organizers as follows:*

- *No later than sixty (60) days before the first day of competition for the Preliminary Entry Form;*
- *No later than twenty (20) days before the first day of competition for the Final Entry Forms;*
- *The names of the members of a national Field team will be communicated to the Organizing Committee before the start of the Field Team Elimination Round.*

3.7.1.2 *Entry forms submitted after the specified closing date may be refused by the Organizers; however, if the cause of the delay is due to circumstances beyond the control of the Member Association*

BOOK 4

FITA CONSTITUTION AND RULES

concerned, the Organizers may accept that entry. The Secretary General must be informed at once of this late acceptance and of the reasons for the delay.

- 3.7.2 The submission of entry forms implies a declaration that the MA is in good standing (see Appendix 1 of Book 1, article 3.1.6 definition) and that all athletes' and officials' expenses will be covered by the respective Member Association in case of illness or accident. All athletes and officials must have signed the FITA Anti-Doping Agreement (see Appendix 5 to Book 1, article 20). If this is not the case, athletes from that Member Association will not be eligible to compete in the Championship.
- 3.7.3 The number of athletes that may be entered by a Member Association is limited.
- 3.7.3.1 *At Outdoor Target Archery Championships, a Member Association may enter no more than four (4) athletes in each category.*
- 3.7.3.2 *At Indoor Target Archery Championships, a Member Association may enter no more than three (3) athletes in each class and division.*
- 3.7.3.3 *At Field Archery Championships, a Member Association may enter no more than three (3) athletes in each class and division.*
- 3.7.4 A World Championship will not be held for any category for which preliminary entries reflect fewer than twelve (12) individuals and six (6) teams. For the Junior and Cadet categories, the minimum numbers will be eight (8) individuals and four (4) teams.
- 3.7.4.1 *If fewer athletes/teams are entered than the number required for each match play round (see article 4.5), byes will be permitted.*
- 3.7.4.2 *A match with a bye is a match that does not take place because not enough athletes are entered for a round to provide opponents for each match of that round. The athlete/team with a bye qualifies for the following round.*
- 3.7.4.3 *A forfeited match is a match in which one of the two athletes/teams is not present for the coin toss (when shooting alternately) or in which one athlete/team has not shot any arrows at the end of the first end (both athletes/teams shooting at the same time). The athlete/team not present for the coin toss or not shooting the first end will be declared the loser of that match.*
- 3.7.4.3 *Organizers will ask for the date of birth of each athlete of a Junior Class or Cadet Class to be stated on the entry form, and formal proof to be provided.*

3.8 ACCREDITATION

- 3.8.1 The Organizers will issue to each participant and official appropriate accreditation, in accordance with FITA Accreditation Guidelines:
- 3.8.1.1 *The proof of accreditation will be carried at all times on the competition area and must be shown on request of appropriate officials.*

3.8.1.2 *Only holders of appropriate accreditation will be allowed on to the relevant parts of the competition area.*

3.13 JURY OF APPEAL

- 3.13.1 A Jury of Appeal of three members will be appointed by the Executive Committee for every FITA Championship. Members of the Organizing Committee or persons participating in the Championships are not eligible for the Jury of Appeal.
- 3.13.2 Appeals against rulings by the Judges must be presented, in writing, by Team Captains, or appellants if no Team Captain has been designated. No appeal can be made against the value of an arrow. An intention to appeal when it might affect the progression of an athlete from one stage of the competition to the next, must be expressed in writing and lodged with the chairperson of the Tournament Judge Commission within 5 minutes of the end of the relevant round or match, whichever comes first. The written appeal must be lodged with the Jury in time to allow the Jury to come to a decision before the beginning of the next round of the competition.
- 3.13.3 The Jury must be available at all times during the Championship, including the day of Official Practice. During match play competitions the Jury must be present on the competition field.
- 3.13.4 Jury decisions shall be minuted and submitted to the appellant, the Chairperson of the Tournament Judge Commission and the Organizers before the beginning of the next stage of the competition or before the awarding of prizes.

3.15 TEAM OFFICIALS

- 3.15.1 At FITA Championships, each Member Association's team taking part will be represented by a Team Captain who may or may not be an athlete.
- 3.15.1.1 *The Team Captain will:*
- *Contact the Organizers as soon as possible on arrival;*
 - *Attend the Team Captains' Meetings called by the Organizers, the Judges or the Jury of Appeal;*
 - *Accompany the team at the inspection of equipment;*
 - *Approach, whenever necessary, Organizers, Judges or Jury of Appeal on behalf of the athletes of the team;*
 - *Generally represent his or her team in all matters pertaining to the Championship.*
- 3.15.1.2 *A Team Captain may be helped by up to three assistants or coaches, but the total number of officials on the competition field must not exceed the number of two officials for each athlete competing at that time.*

- 3.15.1.3 *At Target Championships, Team Officials, unless competing, can be on the field only behind the waiting line and must behave so as not to disturb the athletes (see articles 7.6.1.8 and 8.6.1.6 for exceptions; see articles 7.4.6 and 8.4.6 for coaching).*
- 3.15.1.4 *At Field Championships, unless competing, team officials must be confined within the spectator area unless requested by a Judge to enter the competition area.*

3.19 PRACTICE

- 3.19.1 At Indoor and Outdoor Target Championships, practice may take place on the Tournament range.
- 3.19.1.1 *For Outdoor Target Championships, this practice will be for a minimum of twenty (20) minutes and a maximum of forty-five (45) minutes on all days of the Qualification Round. However, all practice must cease fifteen (15) minutes before the competition starts. Practice ends with the pulling of the practice arrows. The practice targets will be set up at the first distance to be shot by each class.*
- When shooting the Elimination Round and Finals Round, the Organizers may decide on the length of the practice period taking into account the schedule for each day.*
- At other FITA events practice will be for a maximum of forty-five (45) minutes but may be less, and the competition will start as soon as possible.*
- 3.19.1.2 *For Indoor Target Championships, this practice will be for a minimum of twenty (20) minutes and a maximum of forty-five (45) minutes on all days of the Qualification Round. The practice must cease fifteen (15) minutes before the competition starts. When shooting the Elimination Round and Finals Round, the Organizers may decide on the length of the practice period considering the schedule of each day.*
- At other FITA events practice will be for a maximum of forty-five (45) minutes but may be less and the competition will start as soon as possible.*
- 3.19.1.3 *Other practice facilities must be made available to athletes at least five days before the beginning of the competition.*
- 3.19.1.4 *At Outdoor and Indoor Target championships a practice field must be available on the days of the Finals Round for those athletes eliminated from the Finals Round who may still compete in the Team event.*
- 3.19.1.5 *Targets in the same direction as the competition field will be provided for archers (teams) to practice during their byes or forfeited matches. This can be a special unused portion of the competition field.*

- 3.19.1.6 *For the Olympic and Match play Round, a practice field will be made available alongside the Competition Field where athletes, still in the competition, may practice during the Elimination and Finals competition.*
- 3.19.2 At Field Championships no practice will be permitted on the courses set out for the competition.
- 3.19.2.1 *A practice range will be made available nearby or elsewhere for at least a week before the first day of competition.*
- 3.19.2.2 *On the days of the Tournament, some warm up targets must be set up near Assembly Point(s) for the athletes. The practice range and the warm up targets may be one and the same.*
- 3.19.2.3 *On the practice field a number of targets equal to one eighth of the entries, arranged at all the different competition distances, will be provided to permit practice, before, during and after competitive shooting on each day of the competition, at times announced by the Organizers*
- 3.19.3 For all Championships:
- 3.19.3.1 *Should the practice field be insufficient for the number of athletes, the Organizers may arrange two or three practice sessions a day, of at least four hours each. Attendance at these sessions may be booked up to 24 hours in advance. Bookings for more than one session a day for the same athlete may only be accepted if this does not prevent any other athlete booking a first practice period at the session of choice.*
- 3.19.3.2 *A Director of Shooting must be in charge of the official practice field at all times. Acoustic signals will be given to indicate when all shooting must stop in order to allow athletes to collect their arrows, and when shooting can be resumed.*
- 3.19.3.3 *Upon the Director of Shooting sounding the acoustic signal, all athletes will move forward to collect their arrows. No athlete may shoot during this time. Athletes contravening this rule may be barred from the practice session.*
- 3.19.3.4 *Any change in the distance at which targets are set, must be with the prior permission of the Director of Shooting, who may ask athletes to assist in moving and re-arranging targets, should it be necessary.*

3.22 DRESS REGULATIONS

- 3.22.1 FITA Championships are majestic occasions, honoured by the attendance of many dignitaries. It is therefore respectful and fitting that all athletes, Team Captains, Officials, etc., participating in the Opening and Closing Ceremonies, should be properly and fully dressed in the uniform dress of their respective Member Associations.
- *All members of one team, men or women must be dressed in the same Team uniform.*

BOOK 4

FITA CONSTITUTION AND RULES

- 3.22.1.2 *Footwear must be worn by all athletes at all times during the tournament.*
- 3.22.1.3 *Athlete's registration number is to be prominently displayed and to be visible at all times while shooting is in progress.*
- 3.22.1.4 *Athletes are permitted to wear clothing, etc., on which appears the name and/or the official insignia, flag or emblem of the country they represent, without restriction as to size.*
- 3.22.2 No advertising of any kind whatsoever will appear on clothing worn by the athletes or officials at any time during the tournament except as specified in the eligibility rules.

4.2 CLASSES

- 4.2.1 FITA recognizes the following classes:
- Women;
 - Men;
 - Cadet Women;
 - Cadet Men;
 - Junior Women;
 - Junior Men;
 - Masters Women;
 - Masters Men.
- 4.2.2 Separate events for Junior and Cadet Women, Junior and Cadet Men, Master's Women and Master's Men can be recognized by FITA in the disciplines of Outdoor Target, Indoor Target, Field Archery.
- 4.2.3 An athlete may participate in a Cadet Class in tournaments when the competition takes place up to and in the year of his or her 16th birthday.
- 4.2.3.1 *A Cadet athlete may choose to compete in the Junior or Men's / Women's class at his/her discretion.*
- 4.2.4 An athlete may participate in a Junior Class in tournaments when the competition takes place up to and in the year of his or her 18th birthday.
- 4.2.4.1 *A Junior athlete may choose to compete in the Men's / Women's class at his/her discretion.*
- 4.2.5 An athlete may participate in a Masters Class in tournaments when the competition takes place in the year of his or her 50th birthday and thereafter.

4.3 DIVISIONS

- 4.3.1 Athletes using different types of bows are grouped in separate divisions and compete in separate events. FITA recognizes the following Divisions:

- 4.3.4 For Field Archery:
- Recurve Division with equipment as specified in article 9.3.1 - 9.3.10;
 - Compound Division with equipment as specified in article 9.3.1 - 9.3.10;
 - Barebow Division with equipment as specified in article 9.3.1 - 9.3.10;
 - For non-Championship divisions see Chapter 11.4.2.

4.3.7 Athletes may compete in different divisions of the same event but under no circumstances may the program of the event be modified or the event be held up to accommodate that athlete.

4.4 CATEGORIES

The combination of a class and a division is called 'Category' as follows:

<u>Recurve Women</u>	<u>RW</u>	<u>Recurve Junior Women</u>	<u>RJW</u>
<u>Recurve Men</u>	<u>RM</u>	<u>Recurve Junior Men</u>	<u>RJM</u>
<u>Recurve Master Women</u>	<u>RMW</u>	<u>Recurve Cadet Women</u>	<u>RCW</u>
<u>Recurve Master Men</u>	<u>RMM</u>	<u>Recurve Cadet Men</u>	<u>RCM</u>
<u>Compound Women</u>	<u>CW</u>	<u>Compound Junior Women</u>	<u>CJW</u>
<u>Compound Men</u>	<u>CM</u>	<u>Compound Junior Men</u>	<u>CJM</u>
<u>Compound Master Women</u>	<u>CMW</u>	<u>Compound Cadet Women</u>	<u>CCW</u>
<u>Compound Master Men</u>	<u>CMM</u>	<u>Compound Cadet Men</u>	<u>CCM</u>
<u>Barebow Women</u>	<u>BW</u>	<u>Barebow Junior Women</u>	<u>BJW</u>
<u>Barebow Men</u>	<u>BM</u>	<u>Barebow Junior Men</u>	<u>BJM</u>
<u>Barebow Master Women</u>	<u>BMW</u>	<u>Barebow Cadet Women</u>	<u>BCW</u>
<u>Barebow Master Men</u>	<u>BMM</u>	<u>Barebow Cadet Women</u>	<u>BCM</u>

BOOK 4

FITA CONSTITUTION AND RULES

4.5.3 THE FIELD ARCHERY ROUNDS

- 4.5.3.1 The FITA Field Archery Rounds may be shot by the Barebow, Recurve and Compound Divisions, in separate divisions. See Chapter 11.4.2 for non-Championship divisions in local tournaments.
- 4.5.3.2 The FITA Field Round consists of any number of targets totalling between 12-24 targets which is divisible by four (4), and three (3) arrows to be shot per target. These targets will be arranged along a course with such difficulties in aiming and shooting as the terrain presents and the spirit and traditions of the discipline require. The distances for target butts are set out in articles 4.5.3.7 and 4.5.3.8. The course may be marked or unmarked and be shot with any number of walk-ups or fan targets.
- 4.5.3.3 The FITA Arrowhead Round consists of any number of targets totalling between 24-48 targets which is divisible by four (4), that is, two complete FITA Field Rounds. The distances are set out in articles 4.5.3.7 and 4.5.3.8. The rounds may be shot on marked and unmarked courses or one of each.
- 4.5.3.4 The FITA Forest Round consists of any number of targets totalling between 12-24 which is divisible by four (4), with up to three (3) arrows per target. The Round is normally shot on unmarked courses but may be shot on marked courses provided the distances are kept within the limits set out in Chapter 11.4.3.2.
- 4.5.3.5 The FITA 3D Animal Round (see Chapter 11.3).
- 4.5.3.6 The FITA Field Archery World Championship Round in which there are no walk-up or fan targets, consists of:
- The Qualification Round, two FITA Field Rounds each of 24 targets, one marked and one unmarked course;
 - The Elimination Round in which the top sixteen (16) athletes in each class and division shoot twelve (12) targets, 3 arrows per target, six (6) marked and six (6) unmarked targets. The top eight (8) athletes in each class and division will then shoot twelve (12) targets, 3 arrows per target, six (6) marked and six (6) unmarked targets;
 - The Finals Round in which the top four (4) athletes in each class and division shoot two (2) matches (Semi-Finals) consisting of four (4) marked targets each, three (3) arrows per target.
 - 4.5.3.6.1 *In the first match the number one (1) athlete shoots against the number four (4) athlete and the number two (2) athlete shoots against the number three (3) athlete. The losers move to the Bronze Medal Match, and the winners move to the Gold Medal Match. Both matches consist of an additional four (4) marked targets.*
The four archers shooting the matches will go in 2 separate groups through the course accompanied by a Judge.
In the semi finals, the pair consisting of archers # 2 and 3 will shoot first and, the pair consisting of archer # 1 and 4 will shoot as soon as the target is cleared.

In the medal finals, the archers shooting in the gold medal match will shoot first with the archers shooting in the bronze medal match shooting as soon as the target is cleared. However, at the final target, the archers shooting the Bronze medal match will shoot first. When the bronze medal match is completed and the target is cleared, the gold medal match will be completed.

- The Team Elimination Round (Quarter Finals) consists of the top eight (8) teams in each class, consisting of three (3) athletes, one athlete from each division.

4.5.3.6.2 They are seeded according to the positions as determined by their total scores in the Qualification Round They shoot four (4) matches each of eight (8) marked targets. Each athlete shoots one (1) arrow per target from the post of his or her division. (see match play chart). The winners of each match proceeds to the Team Finals Round.

- The Team Finals Round consists of the top four (4) Teams (Semi-Finals) in each class, consisting of one (1) athlete from each division.

4.5.3.6.3 They shoot two (2) matches of four (4) marked targets each. Each athlete shoots one (1) arrow per target from the peg of his or her division. The losing teams move to the Bronze Medal Match and the winning teams move to the Gold Medal Match (Medal Finals). Both Medal matches are shot on an additional four (4) marked targets (see individual finals for shooting procedures).

4.5.3.6.4 In the Finals Round the highest ranked archer/team will shoot from the left shooting position.

4.5.3.6.5 A Round may be shot going twice over the same unit of targets, except at FITA Championships.

4.5.3.6.6 Whenever possible the shooting pegs should be combined.

If a course consists of 24 (2x12) targets, the numbers in the table below, showing a unit of 12 targets are multiplied by 2. If a course consists of 16 targets add another target of the middle distances for each target face size. On courses with 20 targets add two targets of the short and the long distances for each target face size.

4.5.3.7 Unit for Unmarked Course

Number of Targets	Diameter of Field Faces in cm	Distances in Meters	
		Blue Peg Barebow	Red Peg Recurve and Compound
3	Ø 20	5 - 10	10 - 15
3	Ø 40	10 - 20	15 - 25
3	Ø 60	15 - 30	20 - 35
3	Ø 80	30 - 45	35 - 55

BOOK 4

FITA CONSTITUTION AND RULES

4.5.3.7.1 *The distances of the three targets of the same size should vary between long, medium and short distances.*

4.5.3.8 Unit for Marked Course

Number of Targets	Diameter of Field Faces in cm	Distances in Meters	
		Blue Peg Barebow	Red Peg Recurve and Compound
3	Ø 20	5 - 10 - 15	10 - 15 - 20
3	Ø 40	15 - 20 - 25	20 - 25 - 30
3	Ø 60	30 - 35 - 40	35 - 40 - 45
3	Ø 80	40 - 45 - 50	50 - 55 - 60

4.5.3.9 Unit for Elimination Round

(marked and unmarked) 2 X 6 targets, each unit of 6 targets will contain 3 marked and 3 unmarked distances:

Number of Targets	Diameter of Field Faces in cm	Number of Faces	Distances in Meters	
			Blue Peg Barebow	Red Peg Recurve and Compound
1	Ø 20	12	5 - 10	10 - 15
1	Ø 40	4	10 - 20	15 - 25
1	Ø 60	1	15 - 30	20 - 35
1	Ø 80	1	30 - 45	35 - 55
1	Ø 40	4	10 - 20	15 - 25
1	Ø 60	1	15 - 30	20 - 35
1	Ø 60	1	30	35
1	Ø 80	1	45	55
1	Ø 20	12	10	15
1	Ø 40	4	20	25
1	Ø 60	1	40	45
1	Ø 80	1	50	60

4.5.3.10 Unit for Finals Round (and Team Quarter Finals)

8 (2 x 4) targets with marked distances:

Number of Targets	Diameter of Field Faces in cm	Number of Faces	Distances in Meters	
			Blue Peg Barebow	Red Peg Recurve and Compound
1	Ø 20	12	15	20
1	Ø 40	4	25	30
1	Ø 60	2	35	40
1	Ø 80	2	45	55
1	Ø 20	12	10	15
1	Ø 40	4	20	25
1	Ø 60	2	40	45
1	Ø 80	2	50	60

4.5.3.10.1 For the Finals Round 'hit or miss' scoring may be applied (see Chapter 9.2.1.3) and if available knock-down targets be used if a detailed explanation is included in the invitation (see article 3.6.1.1).

4.5.3.10.2 The targets may be put up in any order but the last four targets of this chart will be used for the Gold Medal Match.

4.5.3.10.3 In the Finals Round each class and division will form a group that will start in this order:

- *Barebow Women;*
- *Barebow Men;*
- *Recurve Women;*
- *Recurve Men;*
- *Compound Women;*
- *Compound Men.*

4.5.3.10.4 The Finals Round should be shot in one continuous round, reorganizing the groups after the fourth target. In case of a tie in the Semi-Finals, the tie should be decided on the fourth target before the reorganization of the groups takes place. The Organizers may allow the different classes to shoot on separate courses to speed up the competition.

4.5.3.10.5 The above groups start at target number 1 of the finals course as soon as possible. The award ceremony of a divisions will be held as soon as all divisions have arrived and the scores have been checked. All finalists are to be present during the ceremony and they may bring their equipment with them.

4.5.3.12 Field Club Round – Handicap System (see Chapter 11.9)

4.7 FITA EVENTS

- 4.7.1 Only tournaments consisting of one or more of the following events, as described in detail in the relevant article on the shooting rules, can obtain official recognition from FITA.
- 4.7.4 In the discipline of **Field Archery**:
- For the Barebow, Recurve and Compound Divisions for the Women's, Men's, Junior Women's and Junior Men's, Masters Women and Masters Men classes:
FITA Field Round;
FITA World Championship Field Round;
FITA Arrowhead Round.

4.8 OFFICIAL RECOGNITION OF TOURNAMENTS

- 4.8.1 FITA gives official recognition to tournaments for one or more of the following purposes:
- Competition for World titles (World Championships);
 - Competition for Olympic titles (Olympic Archery Tournament);
 - Competition for World Ranking;
 - Registration for World Records,
 - Competition for FITA Performance Awards (FITA Star, FITA Arrow, FITA Target and FITA Arrowhead Awards);
 - Inclusion of the official calendar of major international archery events;
 - The gaining of Olympic qualification.
- 4.8.2 The organization of FITA Championships (article 4.8.1 above) is set out in Chapter 3.
- 4.8.2.1 *In order to obtain official recognition, tournaments must conform to the standards of organization set out in the appropriate articles for each type of recognition in respect of:*
- *Registration with FITA;*
 - *Announcement and/or invitations;*
 - *Participation of athletes from other Member Associations;*
 - *Order of shooting (target/group list);*
 - *Judging;*
 - *Publication of results.*
- 4.8.2.2 *Member Associations, wishing to obtain official FITA recognition for a tournament must announce it in writing to the Secretary General within the specified time and including:*
- *The name of the tournament, if any;*

- *The events it includes;*
- *A clear geographic indication of the venue (e.g., town or province);*
- *Whether or not the tournament is open to teams and/or individual members of other Member Associations.*

4.8.2.3 *Changes in the information requested under article 4.8.2.2 can only be accepted by the Secretary General if announced at least thirty (30) days before the first day of shooting.*

6.3 FITA PERFORMANCE AWARDS

6.3.1 FITA can recognize as valid for the gaining of FITA's awards and the registration of World Records a certain number of tournaments organized by each Member Association as specified in article 6.4.

6.3.1.1 *The awards shall be granted when the athlete achieves the relevant score for the first time in the appropriate event.*

6.3.1.2 *Only one award can be claimed for each score.*

6.3.5 For the discipline of Field Archery there will be Arrowhead Badges

6.3.5.1 *These badges will be awarded for the **Barebow and Recurve** Divisions as follows:*

FITA ARROWHEAD BADGES – Barebow - Recurve														
	24 targets		28 targets		32 targets		36 targets		40 targets		44 targets		48 targets	
	men	women	men	women	men	women	men	women	men	women	men	women	men	women
<i>Green</i>	198	193	231	226	264	258	297	290	330	322	363	354	396	386
<i>Brown</i>	228	211	266	247	304	282	342	317	380	352	418	387	456	422
<i>Grey</i>	258	241	301	282	344	322	387	362	430	402	473	442	516	482
<i>Black</i>	288	271	336	317	384	362	432	407	480	452	528	497	576	542
<i>White</i>	318	301	371	352	424	402	477	452	530	502	583	552	636	602
<i>Silver</i>	330	313	385	367	440	418	495	470	550	522	605	574	660	626
<i>Gold</i>	340	324	396	378	452	432	509	486	566	540	623	594	680	648

6.3.5.2 *These badges will be awarded for the **Compound** division as follows:*

FITA ARROWHEAD BADGES – Compound														
	24 targets		28 targets		32 targets		36 targets		40 targets		44 targets		48 targets	
	men	women	men	women	men	women	men	women	men	women	men	women	men	women
<i>Green</i>	206	197	241	229	276	262	310	295	344	328	378	361	412	394
<i>Brown</i>	238	226	277	263	316	300	356	338	396	376	436	414	476	452
<i>Grey</i>	269	256	313	298	358	340	404	383	448	426	493	469	538	512
<i>Black</i>	300	286	350	333	400	380	450	428	500	476	550	524	600	572
<i>White</i>	331	316	387	368	442	420	497	473	552	526	607	579	662	632
<i>Silver</i>	344	328	402	382	460	436	517	491	574	546	631	601	688	656
<i>Gold</i>	354	337	413	394	472	450	531	506	590	562	649	618	708	674

- 6.3.5.3 *The FITA Arrowhead Round consists of any number of targets between 24-48 targets which is divisible by four (4), that is, two complete FITA Field Rounds, with distances as set forth in articles 4.5.3.7 and 4.5.3.8 which may be shot on marked and unmarked courses or one of each.*
- 6.3.5.4 *If a two-day-competition consists of two Arrowhead Rounds, the athlete may gain two Arrowhead Awards.*

6.4 EVENTS FOR FITA PERFORMANCE AWARDS

- 6.4.1 The FITA Star Awards can be gained on the scores obtained in a Single FITA Round, in either FITA Round of a Double FITA Round, or in the Qualification Round for the Olympic Round, when organized in accordance with article 6.5.
- 6.4.2 The FITA Standard Round Awards can be gained on the scores obtained in a FITA Standard Round. This can be held concurrently with the shooting of the 50 and 30 meters distances of a full FITA Round.
- 6.4.3 The FITA Target Award can be gained on scores achieved in one of the rounds mentioned in article 6.3.4.
- 6.4.4 The FITA Arrowhead Badge can be gained on the total score obtained in an Arrowhead Round, as specified in the articles 6.3.5.3; 6.3.5.4 and 4.5.3.
- 6.4.5 The awards, defined in article 6.3, can be gained at Tournaments organized by Member Associations and recognized by FITA for which each Member Association will pay a fee established by Council within the maximum amount established by Congress.
- 6.4.6 A Member Association intending to organize such a tournament must fulfil the following requirements:
- 6.4.6.1 *Mail the announcement to the Secretary General at least one month before the first day of shooting;*
 - 6.4.6.2 *Mail the announcement to other Member Associations, if the tournament is international, at least sixty (60) days before;*
 - 6.4.6.3 *Provide a Director of Shooting and Judges to the number of one for every ten targets and, in the case of international Tournaments, a Jury of Appeal of three members; all Judges must be approved by their Member Association or by FITA;*
 - 6.4.6.4 *Mail within one month of the tournament to each Member Association whose athletes have competed, at least one copy of the complete results list.*

APPENDIX 5**ANTI-DOPING RULES (new)****Scope**

These Anti-Doping Rules shall apply to FITA, each Member Association and Continental Association of FITA, and each Participant involved in the activities of FITA or any of its affiliated Member Associations and Continental Associations, by virtue of the Participant's membership, accreditation, or participation in FITA, its Member Associations, Continental Associations, or their activities, International Events or Events.

For FITA, International Events are defined as:

- Competition for World and Continental titles;
- Competition for Olympic titles;
- Competition for World Ranking;
- Olympic Qualification Events (Continental Qualifying Tournaments);
- Archery events of Major Event Organizations;
- And any other Event for which FITA is the ruling body or appoints technical officials.

All athletes entering the FITA Registered Testing Pool and all athletes being eligible for participation in FITA World Championship Events must have personally signed the FITA Anti-Doping Agreement form in Article 20, in the actual form approved by the FITA Executive Committee. All forms from Minor applicants must be counter-signed by their legal guardians.

It is the responsibility of each Member Association to ensure that all national-level Testing on the Member Association's Athletes complies with these Anti-Doping Rules. In some cases, the Member Association itself will be conducting the Doping Control described in these Anti-Doping Rules. In other countries, many of the Doping Control responsibilities of the Member Association have been delegated or assigned by statute to a National Anti-Doping Organization. In those countries, references in these Anti-Doping Rules to the Member Association shall apply, as applicable, to the Member Association's National Anti-Doping Organization.

These Anti-Doping Rules shall apply to all Doping Controls over which FITA and its Member Associations and Continental Associations have jurisdiction.

20 FITA ANTI-DOPING AGREEMENT

I, as a member of a Member Association of FITA or participating in a FITA authorized or recognized event, hereby acknowledge and agree as follows:

1. I have received information on the FITA Anti-Doping Rules and had an opportunity to review them.
2. I consent and agree to comply with and be bound by all of the provisions of the FITA Anti-Doping Rules, including but not limited to, all amendments to the Anti-Doping Rules* and all International Standards* incorporated in the Anti-Doping Rules.
3. I acknowledge and agree that FITA and its Member Associations have jurisdiction to impose sanctions as provided in the FITA Anti-Doping Rules.
4. I also acknowledge and agree that any dispute arising out of a decision made pursuant to the FITA Anti-Doping Rules, after exhaustion of the process expressly provided for in the FITA Anti-Doping Rules, may be appealed exclusively as provided in Article 13 of the FITA Anti-Doping Rules to an appellate body for final and binding arbitration, which in the case of International-Level Athletes is the Court of Arbitration for Sport.
5. I acknowledge and agree that the decisions of the arbitral appellate body referenced above shall be final and enforceable, and that I will not bring any claim, arbitration, lawsuit or litigation in any other court or tribunal.
6. I have read and understood this Acknowledgement and Agreement.

Date

Print Name (Last Name, First Name)

Date of Birth
(Day/Month/Year)

Signature (or, if a minor, signature of
legal guardian)

* For the FITA Anti-Doping Rules and the International Standards in effect see:
www.archery.org and/or www.wada-ama.org

APPENDIX 8

**7. FIELD ARCHERY WORLD CHAMPIONSHIP -
PRELIMINARY ENTRY FORM (SAMPLE)**

The Organizers' own headed paper
(Name, Event, Date, Venue, Address, Emblem may all be used as desired)

PRELIMINARY ENTRY FORM / FORMULE PRELIMINAIRE DE PARTICIPATION

RETURN TO / RENVOYER A: **FITA**, Avenue de Cour 135, CH 1007 Lausanne, Switzerland,
Fax +41 21 614 30 55 E-mail / adresse courriel: info@archery.org

Return at the latest / Renvoyer au plus tard: (60 days before the 1st day of the competition)
(60 jours avant le premier jour de la compétition)

Preliminary Entries received after that deadline will be refused /
Les inscriptions reçues après cette date seront refusées

NAME OF MEMBER ASSOCIATION / NOM DE L'ASSOCIATION MEMBRE

NUMBER OF ATHLETES / NOMBRE DE COMPETITEURS (max 3 per category / par catégorie)

JUNIOR WOMEN / JUNIORS DAMES: JUNIOR MEN / JUNIORS HOMMES:

Recurve/Classique :	<input type="checkbox"/>	<input type="checkbox"/>
Compound	<input type="checkbox"/>	<input type="checkbox"/>
Barebow	<input type="checkbox"/>	<input type="checkbox"/>
Born in 19..... or younger (after 31/12/.....)		Né(e)s en 19 Ou plus jeunes (après le 31/12/.....)

WOMEN / DAMES:

MEN / HOMMES:

Recurve/Classique :	<input type="checkbox"/>	<input type="checkbox"/>
Compound	<input type="checkbox"/>	<input type="checkbox"/>
Barebow	<input type="checkbox"/>	<input type="checkbox"/>
Born in 19..... or younger (after 31/12/.....)		Né(e)s en 19 Ou plus jeunes (après le 31/12/.....)

NUMBER OF OFFICIALS / NOMBRE D'OFFICIELS ET D'ACCOMPAGNANTS (maximum : 4)

Officiels

(Art 3.15.1.2, in case of more than 4, only these 4 will be given competition field access // s'il y a plus de 4 accompagnants: seules les 4 personnes mentionnées ci-dessus seront admises sur le terrain)

I hereby declare that our Member Association is in good standing and that all athletes and officials are covered in case of illness or accident and have signed the FITA Anti-Doping Agreement.

Je déclare que l'association membre est en situation financière saine et que l'ensemble des frais liés aux concurrents et aux officiels sont entièrement couverts ainsi qu' en cas de maladie ou d'accident. Tous ont signé l'accord FITA Antidopage.

Date: _____

Signature: _____

President / Président
Secretary / Secrétaire

BOOK 4

FITA CONSTITUTION AND RULES

8. FIELD ARCHERY WORLD CHAMPIONSHIP - ENTRY FORM (SAMPLE)

FINAL ENTRY FORM / FORMULAIRE DEFINITIF DE PARTICIPATION

Return to / A renvoyer à: **FITA**, Avenue de Cour 135, CH1007 Lausanne, Switzerland, Fax +41 21 614 30 55,
E-mail / adresse courriel : info@archery.org

Return at the latest / A renvoyer au plus tard le: (20 days before the 1st day of the competition
(20 jours avant le premier jour de la compétition):

Entries received after that date will be refused. / Les inscriptions reçues après cette date seront refusées

NAME OF MEMBER ASSOCIATION / NOM DE L'ASSOCIATION MEMBRE

LIST OF ATHLETES / LISTE NOMINATIVE DE TOUS LES COMPETITEURS

(max. 3 in each category / 3 maximum dans chaque catégorie)

Please send an ID Picture of each person to be accredited. / Veuillez envoyer une photo d'identité de toutes les personnes à accréditer auprès de la FITA..

Recurve / "arc classique"

Junior Women / Juniors Dames

Last name /nom de famille First name / prénom
Birthdate/Date de naissance (born after 31/12/....)

1. _____

DD/MM/YYYY: ___ ___ _____

2. _____

DD/MM/YYYY: ___ ___ _____

3. _____

DD/MM/YYYY: ___ ___ _____

Junior Men/ Juniors Hommes

Last name /nom de famille First name / prénom
Birthdate/Date de naissance(nés après le 31/12/....)

1. _____

DD/MM/YYYY: ___ ___ _____

2. _____

DD/MM/YYYY: ___ ___ _____

3. _____

DD/MM/YYYY: ___ ___ _____

Compound / "arc compound"

Junior Women / Juniors Dames

Last name /nom de famille First name / prénom
Birthdate/Date de naissance (born after 31/12/....)

1. _____

DD/MM/YYYY: ___ ___ _____

2. _____

DD/MM/YYYY: ___ ___ _____

3. _____

DD/MM/YYYY: ___ ___ _____

Junior Men/ Juniors Hommes

Last name /nom de famille First name / prénom
Birthdate/Date de naissance(nés après le 31/12/....)

1. _____

DD/MM/YYYY: ___ ___ _____

2. _____

DD/MM/YYYY: ___ ___ _____

3. _____

DD/MM/YYYY: ___ ___ _____

Barebow / "arc nu"

Junior Women / Juniors Dames

Last name /nom de famille First name / prénom
Birthdate/Date de naissance (born after 31/12/....)

1. _____

DD/MM/YYYY: ___ ___ _____

2. _____

DD/MM/YYYY: ___ ___ _____

3. _____

DD/MM/YYYY: ___ ___ _____

Junior Men/ Juniors Hommes

Last name /nom de famille First name / prénom
Birthdate/Date de naissance(nés après le 31/12/....)

1. _____

DD/MM/YYYY: ___ ___ _____

2. _____

DD/MM/YYYY: ___ ___ _____

3. _____

DD/MM/YYYY: ___ ___ _____

Recurve / "arc classique"

Women / Dames		Men/ Hommes	
Last name / nom de famille	First name / prénom	Last name / nom de famille	First name / prénom
Birthdate/Date de naissance		Birthdate/Date de naissance	
1. _____	_____	1. _____	_____
DD/MM/YYYY: ___ ___ ____		DD/MM/YYYY: ___ ___ ____	
2. _____	_____	2. _____	_____
DD/MM/YYYY: ___ ___ ____		DD/MM/YYYY: ___ ___ ____	
3. _____	_____	3. _____	_____
DD/MM/YYYY: ___ ___ ____		DD/MM/YYYY: ___ ___ ____	

Compound / "arc compound"

Women / Dames		Men / Hommes	
Last name /nom de famille	First name / prénom	Last name /nom de famille	First name / prénom
Birthdate/Date de naissance		Birthdate/Date de naissance	
1. _____	_____	1. _____	_____
DD/MM/YYYY: ___ ___ ____		DD/MM/YYYY: ___ ___ ____	
2. _____	_____	2. _____	_____
DD/MM/YYYY: ___ ___ ____		DD/MM/YYYY: ___ ___ ____	
3. _____	_____	3. _____	_____
DD/MM/YYYY: ___ ___ ____		DD/MM/YYYY: ___ ___ ____	

Barebow / "arc nu"

Women / Dames		Men / Hommes	
Last name /nom de famille	First name / prénom	Last name /nom de famille	First name / prénom
Birthdate/Date de naissance		Birthdate/Date de naissance	
1. _____	_____	1. _____	_____
DD/MM/YYYY: ___ ___ ____		DD/MM/YYYY: ___ ___ ____	
2. _____	_____	2. _____	_____
DD/MM/YYYY: ___ ___ ____		DD/MM/YYYY: ___ ___ ____	
3. _____	_____	3. _____	_____
DD/MM/YYYY: ___ ___ ____		DD/MM/YYYY: ___ ___ ____	

Team Captain / capitaine d'équipe

Assistants and coaches / assistants et entraîneurs	1. _____
	2. _____
	3. _____
maximum 4	4. _____

(Art 3.15.1.2, in case of more than 4, only these 4 will be given competition field access /
s'il y a plus de 4 accompagnants: seules les 4 personnes mentionnées ci-dessus seront admises sur le terrain)

I hereby declare that our Member Association is in good standing and that all athletes and officials are covered in case of illness or accident and have signed the FITA Anti-Doping Agreement.

Je déclare que l'association membre est en situation financière saine et que l'ensemble des frais liés aux concurrents et aux officiels sont entièrement couverts ainsi qu' en cas de maladie ou d'accident. Tous ont signé l'accord FITA Antidopage.

Date: _____ Signature _____

President / Président
Secretary / Secrétaire

BOOK 4

FITA CONSTITUTION AND RULES

CHAPTER 9**FIELD ARCHERY ROUNDS**

(Details concerning the organization of FITA Field championships will be found in the FITA Field Organizer's Manuals)

9.1 RANGE LAYOUT

9.1.1 The field course will be arranged so that the shooting positions and the targets can be reached without undue difficulty, hazard or waste of time. Field courses should be as condensed as possible.

9.1.1.1 *The walking distance from the central (assembly) area to the furthest target should be no more than one (1) kilometer or 15 minutes normal walking (when taking the groups out or bringing spare equipment).*

9.1.1.2 *The course makers must prepare safe paths for Judges, medical personnel and allow for transportation of equipment round the course(s) while shooting is in progress.*

9.1.1.3 *The course(s) should not be positioned higher than 1800m above sea level and the maximum difference between the highest and the lowest point in a course should not be more than 100m.*

9.1.1.4 *The targets as described in article 4.5.3 will be laid out in such order as to allow maximum variety and best use of the terrain. In the Finals Round two (2) buttresses will be placed side by side at each target to which a 60cm or 80cm target face is affixed. Athletes will shoot in rotation as described in article 9.5.1.3.*

9.1.1.5 *At all targets, one shooting peg or mark for each division will be placed in such a way as to allow at least two athletes to shoot at the same time from either side of the shooting peg.*

9.1.1.6 *All shooting pegs must be marked with the distance when marked distances are to be shot. The shooting pegs will have different colours, corresponding to each division as follows:*

- *Blue for Barebow Division;*
- *Red for Recurve Division and the Compound Division.*

9.1.1.7 *40cm faces will be placed 4 per buttress in the form of a square. 20cm faces will be 12 per buttress in four vertical columns of three (see Book4, Appendix1, drawings). At marked distances 2 60cm faces may be placed per buttress. The centres of both faces will form a horizontal line.*

9.1.1.8 *The tolerance on the distance from shooting peg to target will not exceed ± 25 cm on distances of 15 meters or less, and will not exceed ± 1 m on distances between 15-60 meters. However, the*

distances given in tables 4.5.3.8, 4.5.3.9 and 4.5.3.10 may be adjusted by ± 2 meters. The correct distance will be marked on the shooting peg. The distance should be measured in the air approximately 1.5-2m above the ground. All kinds of measuring equipment can be used as long as it satisfies the tolerances.

- 9.1.1.9 *The buttresses will provide for a margin of at least 5cm outside the lowest scoring zone(s) of the face(s) placed upon it. At no point may any target face be less than 15cm from the ground. In all instances, regardless of the terrain, the buttress should be placed reasonably perpendicular to the athlete's line of sight from the shooting peg in order to present the target face's full picture (Appendix 1 Book 4, drawings).*
- 9.1.1.10 *All targets will be numbered in succession. The numbers will be no less than 20cm tall and will be black on yellow or yellow on black and will be placed 5-10m before reaching the shooting pegs for that target.*
- 9.1.1.11 *The target numbers will also function as the waiting area for the athletes of the group(s) waiting for their turn to shoot. From the waiting area it should be possible to see if anybody is standing at the peg.*
- 9.1.1.12 *Faces will not be placed over any larger face, nor will there be any marks on the buttress or foreground that could be used as points of aim.*
- 9.1.1.13 *Clearly visible direction signs indicating the route from target to target must be placed at adequate intervals to ensure safe and easy movement along the course.*
- 9.1.1.14 *Suitable barriers will be placed around the course, wherever necessary, to keep spectators at a safe distance while still giving them the best possible view of the competition. Only those persons having the proper accreditation will be allowed on the course inside of the barriers.*
- 9.1.1.15 *The assembly area should contain:*
- *A communication device (system) allowing contact with the Chairman of the Judge Commission and the Organizers' headquarters;*
 - *Adequate shelter for Team Officials;*
 - *Separate shelter for the Jury of Appeal and the Chairman of the Judge Commission;*
 - *Guarded shelter for the Athletes gear and spare equipment;*
 - *On the days of the tournament some practice targets and/or warm-up targets must be set up near the Assembly Point(s) for the athletes;*
 - *Refreshment facilities;*
 - *Toilets.*
- 9.1.1.16 *The Official Field course(s) must be completed and ready for inspection no later than sixteen hours before the shooting starts. At*

FITA Championships they must be ready no later than the morning of two days before the shooting starts, except for modified courses.

9.2 VENUE EQUIPMENT

9.2.1 For the unmarked and marked courses; the FITA Field Face will be used. Only those FITA Field faces produced by a manufacturer licensed by FITA will be used at FITA competitions. There are FITA Field faces with four diameters:

- The 80cm face;
- The 60cm face;
- The 40cm face;
- The 20cm face.

9.2.1.1 Description

The FITA Field Face consists of a yellow center spot and four equal scoring zones.

The background of the face will be white. The five ring scoring zone (spot) for all divisions is yellow. The inner 5 ring (scored X) is of the same yellow. The two (2) zones will be divided by a black line of maximum 1mm in width. The rest of the face will be black. The four scoring zones will be divided by white lines of maximum 1mm in width. Any dividing lines will be in the higher scoring zones. In the center of the spot there will be a fine lined X.

Drawing of the FITA Field Face see Book4, Appendix1.

9.2.1.2 Of the FITA Field Faces, there are four sizes:

<i>Colour of Zones</i>	<i>Scoring Zones</i>	<i>Diameter of faces and of scoring Zones in cm</i>				<i>Tolerances in mm ±</i>
		<i>20</i>	<i>40</i>	<i>60</i>	<i>80</i>	
<i>Yellow</i>	<i>5 (inner)</i>	<i>2</i>	<i>4</i>	<i>6</i>	<i>8</i>	<i>1</i>
<i>Yellow</i>	<i>5</i>	<i>4</i>	<i>8</i>	<i>12</i>	<i>16</i>	<i>1</i>
<i>Black</i>	<i>4</i>	<i>8</i>	<i>16</i>	<i>24</i>	<i>32</i>	<i>1</i>
<i>Black</i>	<i>3</i>	<i>12</i>	<i>24</i>	<i>36</i>	<i>48</i>	<i>3</i>
<i>Black</i>	<i>2</i>	<i>16</i>	<i>32</i>	<i>48</i>	<i>64</i>	<i>3</i>
<i>Black</i>	<i>1</i>	<i>20</i>	<i>40</i>	<i>60</i>	<i>80</i>	<i>3</i>

9.2.1.3 The Field Hit or Miss Target face (or knockdown face) consists of two zones: a hit zone and a miss zone.

The hit-zone (spot) has a diameter of the larger yellow scoring zone according to the table in 9.2.1.2.

The colour for the hit-zone (spot) is YELLOW (Pantone 107U).

The colour for the miss-zone is BLACK

A hit will score 1 point.

9.3 ATHLETES' EQUIPMENT

This article lays down the type of equipment athletes are permitted to use when shooting in FITA competitions. It is the athlete's responsibility to use equipment which is in accordance with the rules. If in doubt the athlete will show this equipment to the Judge(s) before using it in competition.

Any athlete found to be using equipment contravening FITA Rules may have his or her scores disqualified.

Described below are the general regulations that apply to all divisions followed by the special regulations that apply only to certain divisions.

9.3.1 Bows:

9.3.1.1 For Recurve and Barebow divisions

A bow of any type provided it subscribes to the accepted principle and meaning of the word 'bow' as used in target archery, that is, an instrument consisting of a handle (grip), riser (no shoot-through types are permitted) and two flexible limbs each ending in a tip with a string nock. The bow is braced for use by a single string attached directly between the two string nocks, and in operation is held in one hand by its handle (grip) while the fingers of the other hand draw, hold back and release the string.

9.3.1.1.1 Multi-coloured bow risers, and trademarks located on the inside of the upper and lower limb are permitted.

9.3.1.1.2 Recurve: Risers including a brace are permitted provided the brace does not touch the athlete's hand or wrist.

9.3.1.2 Barebow divisions only:

The bow as described above must be bare, except for the arrow rest, and free from protrusions, sight marks, marks or blemishes or laminated pieces (within the bow window area) which could be of use in aiming. The un-braced bow complete with permitted accessories must be capable of passing through a hole or ring of 12.2cm inside diameter ± 0.5 mm.

9.3.1.3 Compound Divisions:

A Compound Bow, (may be of a shoot-through type) is where the draw is mechanically varied by a system of pulleys and/or cams. The bow is braced for use by bow-

string(s) attached directly between the two string nocks of the bow limbs, or attached to the bow cables, as may be applicable to the particular design.

9.3.1.3.1 *The peak draw weight must not exceed 60 lbs.*

9.3.1.3.2 *Cable guards are permitted.*

9.3.1.4 Longbow divisions:

The bow will correspond to the traditional form of a long bow which means that when strung the string may not touch any other part of the bow but the string nocks. The bow may be made from any type of material or combination of material. The shape of the grip and the limbs are not restricted. Center shot is allowed.

9.3.1.4.1 *For Juniors and Women the bow will not be less than 150cm in length, for men the bow will be not less than 160cm in length – this length being measured between the string nocks.*

9.3.1.5 For the Bowhunter divisions:

The bow can be any type of bow as described in article 9.3.

9.3.1.5.1 *The maximum bow weight is 80lbs for men and 60lbs for women and juniors.*

9.3.2 Bow String:

A bowstring of any number of strands.

9.3.2.1 *All divisions:*

The string strands may be of different colours and of the material chosen for the purpose. The string may have a center serving to accommodate the drawing fingers, a nocking point to which may be added serving(s) to fit the arrow nock as necessary, and to locate this point, one or two nock locators may be positioned, and at each end of the bowstring a loop to be placed in the string nocks of the bow when braced.

9.3.2.2 *Recurve division:*

The serving on the string must not end within the athlete's vision at full draw. The bowstring must not in any way assist aiming through the use of a peephole, marking, or any other means. One attachment on the string to serve as a lip or nose mark is permitted.

9.3.2.3 *Barebow and Longbow divisions:*

The serving on the string must not end within the athlete's vision at full draw. The bowstring must not in any way assist aiming through the use of a peephole, marking, or any other means. No lip or nose mark is permitted.

9.3.2.4 *Compound and bow hunter divisions:*

Attachments on the string are permitted to serve as a lip or nose mark, a peep-hole, a peep-hole 'hold-in-line' device, loop bowstring, etc. There are no limitations to the center serving for this division.

BOOK 4

FITA CONSTITUTION AND RULES

9.3.3 Arrow rest:

9.3.3.1 Recurve and Barebow divisions:

An arrow rest, which can be adjustable, a moveable Pressure Button, Pressure Point or Arrow plate may be used on the bow provided they are not electric or electronic and do not offer any additional aid in aiming.

- Recurve division: The pressure point may not be placed any further back than 4cm (inside) from the throat of the handle (pivot point) of the bow;
- Barebow division: The pressure point may not be placed any further back than 2cm (inside) from the throat of the handle (pivot point) of the bow.

9.3.3.2 Longbow division:

If the bow has an arrow shelf that shelf may be used as an arrow rest. It may be covered with any type of soft material. No other types of arrow rests are allowed.

9.3.3.3 Compound bow division:

The pressure point may not be placed any further back than 6cm (inside) from the throat of the handle (pivot point) of the bow.

9.3.3.4 Bow hunters:

There is no limitation as to the arrow rest or the placement.

9.3.4 Draw check device:

9.3.4.1 Recurve, compound and bow hunters divisions:

A draw check device, audible and/or visual, may be used provided it is not electric or electronic.

9.3.4.2 Barebow and longbow divisions:

No draw check device is permitted.

9.3.5 Bow sight:

9.3.5.1 Recurve division:

A bow sight for aiming is permitted, but at no time may more than one such device be mounted on the bow.

9.3.5.1.1 It must not incorporate a prism or lens or any other magnifying device, levelling or electric or electronic devices nor will it provide for more than **one** sighting point.

9.3.5.1.2 The overall length of the sight (tunnel, tube, sighting pin and/or other similar extended component) will not exceed 2cm in the line of vision of the athlete.

9.3.5.1.3 A sight attached to the bow for the purpose of aiming which may allow for windage adjustment as well as elevation setting. It is subject to the following provisions:

- A bow sight extension is permitted;

- *A plate or tape with distance markings may be mounted on the bow as a guide for sighting, but must not in any way offer any additional aid;*
- *The sight point may be a fibre optic sight pin. The total length of the fibre optic pin may exceed 2cm, provided that one end is attached outside the archers line of vision at full draw, while the part within the archers line of vision does not exceed 2cm in a straight line before bending. It can only provide one illuminated aiming spot at full draw;*
- *On unmarked field courses no part of the sight may be modified for the purpose of having means for range finding.*

9.3.5.2 Barebow and longbow divisions:

No sight, mark(s) or aiming help is allowed;

For barebow face and string walking is permitted.

9.3.5.3 Compound division:

Any type of sight may be used

9.3.5.3.1 *provided it is:*

- *Not electric or electronic and*
- *Does not include any additional means for range finding when used on the unmarked field rounds.*

9.3.5.3.2 *Multiple sight pins are not acceptable.*

9.3.5.4 Bow hunters division:

Any type of sight may be used including multiple pins.

9.3.6 Stabilizers and Torque flight Compensators (TFC):

9.3.6.1 Recurve, compound and bow hunters divisions:

Stabilizers and torque flight compensators on the bow are permitted

9.3.6.1.1 *provided they do not:*

- *Serve as a string guide;*
- *Touch anything but the bow;*
- *Represent any danger or obstacle to other athletes at the shooting peg.*

9.3.6.2 Barebow division:

No stabilizers are permitted.

9.3.6.2.1 *Torque flight compensators fitted as part of the bow are permitted provided that they do not also have stabilizers.*

9.3.6.2.2 *Weight(s) may be added to the lower part of the riser. All weights, regardless of shape, must mount directly to the riser without rods, extensions, angular mounting connections or shock-absorbing devices.*

BOOK 4

FITA CONSTITUTION AND RULES

9.3.6.2.3 *The unstrung bow complete with permitted accessories must be able to pass through a hole or ring of 12.2cm inside diameter \pm 0.5mm.*

9.3.6.3 Longbow division:

No weights, stabilizers or torque flight compensators are allowed.

9.3.7 Arrows:

9.3.7.1 Recurve, barebow and compound divisions:

Arrows of any type may be used provided they subscribe to the accepted principle and meaning of the word 'arrow' as used in target archery, and that such arrows do not cause undue damage to target faces or buttresses.

9.3.7.1.1 *The maximum diameter of an arrow shaft will not exceed 9.3mm, the point for these arrows may have a maximum diameter of 9.4mm. An arrow consists of a shaft with head (point), nock, fletching and, if desired, cresting. All arrows of every athlete will be marked with the athlete's name or initials on the shaft, and all arrows used at any one end will carry the same pattern and colour(s) of fletching, nocks and cresting, if any.*

9.3.7.2 Longbow division:

Only wooden shafts are allowed.

9.3.7.2.1 *The following restrictions apply:*

- *The points will be the field type meant for wooden arrows;*
- *Only natural feathers will be used as fletching.*

9.3.7.3 Bow hunters division:

Any type of arrow may be used,

9.3.7.3.1 *Provided they use:*

- *Standard type of screw-in field points*
 - *of a minimum weight of 125 US grains for men;*
 - *minimum weight of 100 US grains for women and juniors.*

9.3.8 Finger and Hand Protection:

9.3.8.1 All divisions:

Finger protection in the form of finger stalls or tips, gloves, or shooting tab or tape (plaster) to draw, hold back and release the string is permitted.

9.3.8.1.1 *The following equipment is permitted:*

- *A separator between the fingers to prevent pinching the arrow;*
- *On the bow hand an ordinary glove, mitten or similar item may be worn but must not be attached to the grip of the bow.*

9.3.8.2 Recurve and Barebow divisions:

9.3.8.2.1 *The following equipment is permitted:*

- *An anchor plate or similar device attached to the finger protection (tab) for the purpose of anchoring.*

9.3.8.3 Compound and Bow hunters divisions:

9.3.8.3.1 *The following equipment is permitted:*

- *A mechanical release aid, provided it is not electronic or electric.*

9.3.8.4 Recurve, Barebow and Longbow divisions:

9.3.8.4.1 *The following restrictions apply:*

- *Finger protection must not incorporate any device to hold, draw and release the string.*

9.3.8.5 Barebow division:

Finger protection may not have marks, indications, scales or other such means to identify placement of the drawing hand fingers on the bowstring.

9.3.8.5.1 *Symmetrical stitching or screws etc are allowed provided they are used by the manufacturer for the purpose of holding separate layers of the tab together.*

9.3.8.5.2 *Stitching evident for the purpose of aiming or distance refinement must be covered.*

9.3.8.5.3 *Marks that come from natural wear are acceptable.*

9.3.8.6 Longbow division:

9.3.8.5.1 *The following restrictions apply:*

- *An anchor plate or similar device attached to the finger protection (tab) for the purpose of anchoring is not permitted..*

9.3.9 Scopes, spectacles, field glasses / binoculars:

9.3.9.1 All divisions:

Field glasses, telescopes and other optical aids may be used for spotting arrows

9.3.9.1.1 *provided they do not represent any obstacle to other athletes at the shooting peg.*

9.3.9.1.2 *Prescription spectacles, shooting spectacles and sunglasses may be used.*

9.3.9.1.3 *None of these may be fitted with micro hole in lenses, or similar devices, nor may they be marked in any way that can assist in aiming.*

9.3.9.1.4 *The spectacle glass of the non-sighting eye may be fully covered or taped, or an eye patch may be used.*

On the unmarked Field, Forest and 3D rounds none of the above is permitted to have any kind of range finding device or equipment (e.g. scales) incorporated or attached.

BOOK 4

FITA CONSTITUTION AND RULES

9.3.10 Accessories:

9.3.10.1 All divisions:

9.3.10.1.1 *The following accessories are permitted, such as:*

- *Bracers (arm guards), dress shield, bow sling, belt or ground quiver and tassel. Foot markers may not protrude more than 1cm from the ground. Also permitted are limb savers, light-weight string material on the bow or stabilizer as a wind indicator.*

9.3.10.2 Compound Division:

All types of additional devices are permitted, unless they are electric or electronic or are prohibited under article 9.3.

9.3.11 For athletes of all divisions none of the following equipment is permitted:

9.3.11.1 Any **electronic communication device**, or headsets in front of the waiting line on the practice field, and at any time on the field course.

9.3.11.2 On unmarked Field, Forest and 3D courses any type of **range finders** or any other means of estimating distances or angles not covered by the current rules regarding athletes' equipment.

9.3.11.3 Any part of an athlete's equipment that has been added or modified to serve the purpose of estimating distances or angles, nor may any regular piece of equipment be used explicitly for that purpose.

9.3.11.4 Any written memoranda or electronic storage device that may be used for calculating angles, and distances apart from notes of the athlete's normal sight marks, the recording of the present personal scores or any part of the FITA Rules.

9.4 SHOOTING

9.4.1 Each athlete will stand or kneel at the shooting peg without compromising safety.

9.4.1.1 *The athlete can stand or kneel up to approximately one (1) meter in any direction beside or behind the shooting peg, taking into consideration the condition of the terrain. In exceptional circumstances a Judge may give permission to shoot from outside the defined area.*

9.4.1.2 *Every shooting position will have a shooting peg or mark to accommodate at least two athletes.*

9.4.1.3 *The Organizers will assign the target at which each group will start shooting.*

9.4.2 Athletes within a group waiting for their turn to shoot will wait well back behind the athletes in shooting position.

9.4.2.1 *Unless they assist the athletes at the shooting peg with shading.*

9.4.3 No athlete may approach the target until all athletes of the group have finished shooting, unless given permission by a Judge.

9.4.4 Under no circumstances may an arrow be re-shot.

An arrow may be considered to have not been shot if:

9.4.4.1 *The athlete can touch it with his bow without moving his feet from their position in relation to the shooting line, and provided the arrow has not rebounded.*

9.4.4.2 *The target face or buttress falls over (in spite of having been fixed to the satisfaction of the Judges). The Judges will take whatever measures they deem necessary, and compensate adequate time for shooting the relevant number of arrows. If the buttress only slides down it will be left to the Judges to decide what action to take, if any.*

9.4.5 No athlete may relate the target distances to anybody on unmarked courses during the tournament.

9.5 ORDER OF SHOOTING AND TIMING CONTROL

9.5.1 Athletes will shoot in groups of no more than four, but never less than three. Groups should be of even numbers as far as possible.

9.5.1.1 *Should the number of athletes exceed the normal capacity of the course, additional groups will be formed and placed in the field as is convenient.*

9.5.1.2 *Athletes will wear **registration numbers** fully visible, and be allocated targets and shooting positions according to their order of draw and subsequent placement from the top to the bottom on the start list.*

9.5.1.3 *Each group will shoot in pairs, **rotating** as follows:*

- *In a group of four the two athletes with the lowest registration numbers will shoot together as the first pair and the other two athletes assigned to that target will form the second pair;*
- *The athlete with the lower registration number of each pair will shoot from the left side of the shooting peg, the other athlete from the right side of the shooting peg;*
- *The first pair (with lowest registration number(s)) will start the shooting on the first target assigned to the group;*
- *The other pair will start shooting at the next target. The pairs will rotate shooting at all subsequent targets throughout the competition;*
- *If all athletes of the group agree they may change the above arrangement, pairing and/or shooting position before the beginning of the competition. That arrangement will remain unchanged throughout that Round;*
- *If there are three athletes in a group the first two athletes on the start list (lowest registration numbers) will form the first pair, the third athlete will be considered to be the second pair*

concerning rotation. He will always shoot from the left side of the shooting peg.

Following bullet 5 of this article this arrangement may be changed by mutual agreement before the beginning of the shooting. That change will be final throughout that Round;

- Should there be sufficient room at a shooting peg, all athletes in the group may shoot at the same time.

9.5.1.4 Shooting at the **blocks of 40cm faces**: The four faces will be placed in the form of a square. Of the pair of athletes whose turn is to shoot first, the athlete on the left will shoot at the top left hand face, while the athlete on the right will shoot at the top right hand face. Of the pair of athletes whose turn is to shoot second, the athlete on the left will shoot at the lower left hand face, while the athlete on the right will shoot at the lower right hand face.

9.5.1.5 Shooting at the **blocks of 20cm faces**: Of the pair of athletes whose turn it is to shoot first, the athlete on the left will shoot at the faces in column 1, while the athlete on the right will shoot at the faces in column 3. Of the pair of athletes whose turn it is to shoot second, the athlete on the left will shoot at the faces in column 2, while the athlete on the right will shoot at the faces in column 4. Each athlete will shoot his arrows in any order, one at each face.

9.5.1.6 Groups will be assigned to **start** simultaneously from various targets and will complete the round at the target before the one at which they started. In the Finals Round all groups start in succession from the same target. Additional groups assigned to a target will wait until the primary group on that target has shot and scored their arrows before proceeding.

9.5.1.7 In case of **equipment failure** the order of shooting may be changed temporarily. In any event no more than thirty (30) minutes will be allowed to repair any equipment failure. The other athletes in that group will shoot and score their arrows before allowing any following groups to shoot through. If the repair is completed within the time limit, the athlete in question may make up any arrows remaining to be shot on that target. If the repair is completed later, the athlete may rejoin his group but will lose the arrows his group has shot in the meantime.

9.5.1.8 In the event of an athlete being unable to continue shooting because of an unexpected **medical problem** occurring after the beginning of the shooting no more than 30 minutes will be allowed for medical personnel to determine the problem and decide on whether or not the athlete is fit to continue competing unassisted.. The procedure is the same as for an equipment failure.

9.5.1.9 In Finals Rounds no extra time will be allowed for equipment failure or the treatment of unexpected medical problems. In the Team Event other members of the team may shoot in the meantime.

- 9.5.1.10 *A broken bow may be replaced by a spare bow or a borrowed bow.*
- 9.5.1.11 *Athletes in a group may allow other groups to **shoot through**, provided the Organizers and/or the Judges are notified about the change.*
- 9.5.1.12 *When an athlete or a group of athletes are causing undue delay for that group or for other groups during the Qualification and Elimination Rounds of a competition, the Judge observing this will warn the athlete or group verbally after which he and/or a fellow Judge may time the athlete, or group throughout the remainder of that round of the competition.*
- *In that case a **time limit** of four (4) minutes per target will be allowed from the time the athlete takes his position at the shooting peg, which he must do as soon as possible after the shooting position becomes available;*
 - *A Judge, having observed an athlete exceed the time limit despite the above procedure, will caution him by a signed note on the scorecard, indicating the time and date of the warning;*
 - *At the second and all subsequent warnings during that stage of the competition, the athlete's highest scoring arrow at the target will be forfeited;*
 - *The time limit may be extended in exceptional circumstances.*
- 9.5.1.13 ***Time warnings** will not be carried over from one stage of the competition to the next.*
- 9.5.1.14 *In the FITA Field **Finals Round**, whenever a Judge accompanies a group he will start and stop the shooting verbally (**go** for the start and **stop** when the 4 minutes have passed).*
- *The Judge will show a yellow card as a warning when 30 seconds of the 4 minutes remain. No shooting will be allowed after the 4 minutes have passed and the Judge has stopped the shooting.*
 - *If an athlete shoots an arrow after the Judge has stopped the shooting, the athlete's or team's highest scoring arrow on that target will be forfeited.*
- 9.5.1.15 *In the team matches the Judge will start the stopwatch when the first athlete of the team leaves the waiting position (at the target number).*
- 9.5.1.16 *If, for some reason, the shooting in team matches is stopped, then the Judge will stop the watch for the team and restart it with the remaining time as soon as shooting can be resumed.*

9.6 SCORING

- 9.6.1 Scoring will take place after all athletes in the group have shot their arrows.

- 9.6.1.1 *Unless otherwise agreed in the group, the group member with the lowest registration number will be the group leader and will be responsible for the conduct of the group. The two athletes with the second and third lowest registration numbers will be the **scorers** and the fourth athlete will **mark the arrow holes**.
In a group of three the group leader will also mark the arrow holes.
The group of athletes will not leave the target before all holes in the scoring zone are marked.*
- 9.6.1.2 *Scorers will enter on the scorecard alongside the correct number of the target, and in descending order, the **value of each arrow** as called by the athlete to whom the arrows belong. Other athletes in the group will check the value of each arrow called. A mistake on the scorecard discovered before the arrows are drawn may be corrected (see article 9.10.1).*
- 9.6.1.3 *Scorers are to compare the scores before the arrows are drawn.*
- 9.6.1.4 *In the Finals Round of FITA Championships a Judge will accompany each group to control the scoring.*
- 9.6.1.5 *In the Finals Round a scorer for each group will carry a portable scoreboard displaying the updated scores of the athletes in that group.*
- 9.6.2 An arrow will be scored according to the **position of the shaft** on the target face. Should the shaft of an arrow touch two zones or a dividing line between scoring zones, that arrow will score the higher value of the zones affected.
- 9.6.2.1 *Neither the **arrows nor the target face will be touched** until all arrows on that target have been recorded and scores checked.*
- 9.6.2.2 *If **two or more arrows are shot in the same 20cm target face**, they will be considered as part of that end but only the arrow with the lowest value will score. The other arrow, or arrows, in the same face will score as a miss, or as misses.*
- 9.6.2.3 *If **more than three arrows** belonging to the same athlete should be found in the target or on the ground of the shooting lanes, only the three lowest in value will be scored. Should an athlete (or team) be found to repeat this he/she (they) may be disqualified.*
- 9.6.2.4 *Should a **fragment of a target face be missing**, including a dividing line or where two colours meet, or if the dividing line is displaced by an arrow, then an imaginary circular line will be used for judging the value of any arrow that may hit such a part.*
- 9.6.2.5 *Arrows embedded in the buttress and not showing on the face can only be scored by a Judge.*
- 9.6.2.6 *In case of a **rebound or pass-through** the scoring will take place as follows:*
- *If all of the athletes in that shooting group agree that a rebound or pass-through has occurred, they may also agree on the value of that arrow;*

- *If they cannot agree on the value of the arrow, the athlete will be awarded the value of the lowest unmarked arrow hole in the scoring zone.*

9.6.2.7 **An arrow hitting:**

9.6.2.7.1 *Another arrow in the nock and remaining embedded therein will score according to the value of the arrow struck.*

9.6.2.7.2 *Another arrow, and then hitting the target face after deflection, will score as it lies in the target.*

9.6.2.7.3 *Another arrow, and then rebounding will score the value of the arrow struck, provided the damaged arrow can be identified.*

9.6.2.7.4 *A target face other than the athlete's own target face will be considered as part of that end and will score as a miss.*

9.6.2.7.5 *Outside the outermost scoring zone of the target face will score as a miss.*

9.6.3 In the event of a **tie in score**, the ranking of the results will be determined in the following order:

9.6.3.1 For ties occurring in all Rounds, except for those ties as set out below in 9.6.3.2:

- **Individuals and Teams:**
 - Greatest number of 5's (including inner 5's);
 - Greatest number of X's (inner 5's);
 - After this athletes still tying will be declared equal; but for ranking purposes, i.e. for a position in the match play charts of the Finals Rounds, a disk toss will declare the position of those declared equal.

9.6.3.2 For ties regarding the entrance to the Elimination Rounds, the progress from one stage of the competition to the next or for deciding the Medal placements after a Finals Round there will be shoot-offs to break the ties (without considering the number of 5's and X's):

9.6.3.2.1 *Individuals:*

- *A single arrow shoot-off for score (maximum of three shoot-offs);*
- *If there is still a tie in the third shoot-off, the arrow closest to the center will resolve the tie; or*
- *Successive single arrow closest-to-the-center shoot-offs, until the tie is resolved;*
- *the time limit for a shoot-off will be 1/3 of the applicable time limit (80seconds).*

9.6.3.2.2 *Teams:*

- *An End of three (3) arrows (one by each athlete) shoot-off for score (maximum of three shoot-offs);*
- *If the score is still tied in the third shoot-off, the team with the closest-to-the-center arrow will win;*
- *If still tied the second (or third) closest-to-the-center arrow will determine the winner;*

- *If necessary there will be successive three (3) arrow (one arrow by each athlete) shoot-offs for score if necessary followed by closest-to-the-center evaluation until the tie is resolved;*
- *The time limit for a Team shoot-off will be 4 minutes.*

9.6.3.2.3 *Shoot-offs will take place on a target at the maximum distance for the division in which there is a tie. The targets will be located close to the central point area. The Organizers may have a separate target for this purpose.*

9.6.3.2.4 *Shoot-offs will be shot as soon as it is practical after all scorecards for the division, within which the tie has occurred, have been recorded. Any athlete who cannot be present for the shoot-off within 30 minutes after he or his team captain has been notified, will be declared the loser. If the athlete and his Team Captain have left the field, in spite of the results not being officially verified, and thus cannot be notified of the shoot-off, the athlete will be declared the loser.*

9.6.3.2.5 *In the event of a tie in the Semi Finals, a shoot-off will take place on the last target shot. In the event of a tie in the Medal Finals, a shoot-off will take place on a target at the maximum distance for the division in which there is a tie. The targets will be located close to the central staging area. The Organizers may have a separate target for this purpose.*

9.6.4 Scorecards will be signed by the scorer and the athlete, denoting that the athlete agrees with the value of each arrow. The scorer's scorecard will be signed by some other athlete of the same group. Should a discrepancy be found in the sum total, the sum total of the lowest arrow scores will become final.

9.6.5 At the end of the Tournament the Organizing Committee must supply complete result lists to all participants: Athletes, Team Captains, Judges and Council Members who are present.

9.7 SHOOTING CONTROL AND SAFETY

9.7.1 The Chairman of the Tournament Judges Commission will be in control of the Field Shoot.

9.7.2 The Chairman of the Tournament Judges Commission will satisfy himself that safety precautions have been observed in the layout of the courses and arrange with the Organizers for any additional safety precautions he may find advisable before shooting commences.

9.7.2.1 *He addresses the athletes and officials on the safety precautions and any other matter concerning the shooting that he may judge to be necessary.*

9.7.2.2 *Should it become necessary to abandon a Field Archery competition because of bad weather, loss of daylight or for reasons that would otherwise compromise the safety conditions of the courses,*

such a decision will be made by the collective decision of the head of the Organizing Committee, the Chairman of the Judges Commission and the Technical Delegate.

9.7.2.3 *Should the competition have to be abandoned prior to the completion of the Qualification Round(s) the total score of the same targets shot by all athletes in a division will be used to determine the champions in that division.*

9.7.2.4 *Should the competition have to be abandoned at a later stage, the last full Round shot will determine the winner(s).*

9.7.2.5 *In case of blinding sunshine, protective shade of a maximum size of A4 (or legal letter size, about 30 by 20 cm) may be provided by the other members of the group or will be provided by the organizer.*

9.7.3 No athlete may **touch the equipment** of another without the latter's consent.

9.7.4 **No smoking** is allowed on the Field course.

9.7.5 When **drawing** back the string of his bow an athlete must not use any **technique** which, in the opinion of the Judges, could allow the arrow, if accidentally released, to fly beyond a safety zone or safety arrangements (overshoot area, net, wall etc.). If an athlete persists in using such a technique, he will, in the interest of safety, be asked by the Chairman of the Tournament Judges Commission to stop shooting immediately and to leave the field.

9.8 CONSEQUENCES OF BREAKING RULES

Set out below is a summary of the penalties and/or sanctions applied to athletes when rules are broken or conditions are not fulfilled. Together with the consequences of such actions on athletes and officials.

9.8.1 Eligibility, disqualification,

9.8.1.1 Athletes are not eligible to compete in FITA events if they do not meet the requirements as laid down in Chapter 2 of the FITA Constitution and Rules.

9.8.1.2 An athlete found guilty of breaking any of those rules may be eliminated from the competition and will lose any position he may have gained.

9.8.1.3 An athlete is not eligible to compete in FITA Championships if his Member Association does not meet the requirements as laid down in article 3.7.2.

9.8.1.4 An athlete found competing in a class laid down in Chapter 4.2 the requirements of which he does not fulfil, will be eliminated from the competition and lose any position he may have gained.

9.8.1.5 An athlete found to have committed a violation of the Anti-Doping Rules laid down in Book1, Appendix5 of the FITA Constitution and Rules will be subject to the following sanctions (see also Book1, Appendix5, article 10):

- Regardless of any penalty imposed by the Member Association concerned, FITA will annul the results achieved in the competition and any prizes or medals awarded must be returned to the FITA office;
 - If a member of a team is found to have committed a violation of these Anti-Doping Rules during an Event, the team shall be disqualified from the Event;
 - In addition to this the penalties of articles 9, 10, 11 of Appendix 5 will apply;
 - An athlete who is ineligible for a doping offence may not participate in any FITA event organized by FITA or a member of FITA before the end of his or her period of ineligibility (App.5, article 10.3).
- 9.8.1.6 Any athlete found to be using equipment contravening FITA Rules may have his scores disqualified (9.3).
- 9.8.1.7 Athletes or teams repeatedly found shooting more arrows per end than allowed may have their scores disqualified (9.6.2.3).
- 9.8.1.8 An athlete proved to have broken any rules and regulations knowingly, may be ruled to be not eligible to participate in, and be eliminated from the competition and will lose any position he may have gained.
- 9.8.1.9 When drawing back the string of his bow an athlete must not use any technique which, in the opinion of the Judges, could allow the arrow, if accidentally released, fly beyond a safety zone or safety arrangements (overshoot area, net, wall etc.). If an athlete persists in using such a technique, he will, in the interest of safety, be asked by the Chairman of the Judges Commission to stop shooting immediately and to leave the field (9.7.5).

9.8.2 Losing the score of arrows

- 9.8.2.1 *In the case of an equipment failure an athlete who is unable to repair his equipment within 30 minutes will lose the number of arrows still to be shot on that target and those arrows shot by his group after that time until he rejoins his group (9.5.1.7; see 9.5.1.8 in case of an unexpected medical problem).*
- 9.8.2.2 *A Judge, timing an athlete and observing him exceed the 4-minute time limit, will caution him by a signed note on the score-card, indicating the time of the warning. At the second and all subsequent warnings during that stage of the competition, the athlete's highest scoring arrow at the target will be forfeited (9.5.1.12).*
- 9.8.2.3 *In the FITA Field Finals Round if an athlete shoots an arrow after the Judge has stopped the shooting the athlete's or team's highest scoring arrow on that target will be forfeited.*
- 9.8.2.4 *If more than three arrows belonging to the same athlete should be found in the target or on the ground in the shooting lane, only the three lowest arrows will be scored (9.6.2.3).*
- 9.8.2.5 *If two or more arrows are shot into one 20cm target face all arrows shot will count as part of that end but only the lowest arrow will score (9.6.2.2).*

- 9.8.2.6 *An arrow not hitting a scoring zone or hitting a target face other than the athlete's own target face will be considered as part of that end and will score as a miss (9.6.2.7.4/5).*

9.8.3 Warnings

Athletes who have been warned more than once and who continue breaking the following FITA rules or who do not follow decisions and directives (which can be appealed) of the assigned Judges will be treated according to 9.8.1.8.

- 9.8.3.1 *No smoking is allowed on the Field course.*
- 9.8.3.2 *No athlete may touch the equipment of another without the latter's consent (9.7.3).*
- 9.8.3.3 *Those athletes belonging to a following group waiting for their turn to shoot, will remain in the waiting area until the athletes shooting have moved on and the shooting position is clear (9.1.1.11).*
- 9.8.3.4 *While shooting is in progress, only those athletes whose turn it is to shoot may approach the shooting position (9.4.2).*
- 9.8.3.5 *No athlete may approach the target until all athletes of the group have finished shooting (9.4.3).*
- 9.8.3.6 *Neither the arrows nor the target face may be touched until all the arrows on that target have been recorded (9.6.2.1).*
- 9.8.3.7 *When drawing back the string of his bow an athlete must not use any technique which, in the opinion of the Judges, could allow the arrow, if accidentally released, fly beyond a safety zone or safety arrangements (overshoot area, net, wall etc.) (9.7.5).*

9.9 JUDGING

9.9.1 The Judges' duties are to ensure that the tournament is shot according to the FITA Constitution & Rules, and fairness to all athletes.

- 9.9.1.1 *At least one Judge for every four targets in Field Archery will be appointed. Their duties will be to:*
- 9.9.1.2 *Check all distances and the correct layout of the courses; the dimensions of target faces and buttresses; that the faces are set at the correct height from the ground; that all buttresses are set at a suitable angle for the shot in Field Archery.*
- 9.9.1.3 *Check all the necessary venue equipment.*
- 9.9.1.4 *Check all athletes' equipment before the Tournament (time to be stated on the tournament program) and at any time thereafter during the Tournament.*
- 9.9.1.5 *Control the conduct of the shooting.*
- 9.9.1.6 *Control the conduct of the scoring.*
- 9.9.1.7 *Verify the scoring in the Elimination and Finals Rounds.*

- 9.9.1.8 *Consult with the Chairman of the Judges Commission on questions which arise regarding the shooting.*
- 9.9.1.9 *Handle any disputes and appeals which may arise and, where appropriate, pass them on to the Jury of Appeal.*
- 9.9.1.10 *In liaison with the Chairman of the Judges Tournament Commission and the Chairman of the Organizing Committee interrupt the shooting if necessary, because of weather conditions, a serious accident, or such occurrences, but to ensure if at all possible, that each day's program is completed on that day.*
- 9.9.1.11 *Consider relevant complaints or requests from Team Captains and where applicable to take suitable action. Collective decisions will be made by a simple majority of votes. In case of a tie, the Chairman will have a tie-breaking vote.*
- 9.9.1.12 *Deal with questions concerning the conduct of the shooting or the conduct of an athlete. These questions must be lodged with the Judges without any undue delay and in any event must be lodged before the prize giving. The ruling of the Judges or Jury of Appeal, as applicable, will be final.*
- 9.9.1.13 *Control that athletes and officials conform to the FITA Constitution and Rules as well as decisions and directives the Judges may find necessary to make.*

9.10 QUESTIONS AND DISPUTES

- 9.10.1 In the discipline of Field Archery, any athlete on the target will refer any questions about the value of an arrow in the target to a Judge before the arrows are drawn.
- 9.10.1.1 *The **decision** of that Judge will be **final**.*
- 9.10.1.2 *A mistake on a scorecard may be corrected before the arrows are drawn, provided that all the athletes on the target agree on the correction. The correction must be witnessed and initialled by all the athletes on the target. Any other disputes concerning entries on a scorecard must be referred to a Judge.*
- 9.10.1.3 *Should it be discovered:*
- *That the size of a target face has been changed during the competition;*
 - *The position of a shooting peg has been moved after competing athletes have already shot the target;*
 - *The target is or has become unshootable for certain athletes because of hanging branches etc.:*
That target will be eliminated for the purpose of score for all athletes of the division involved, should an appeal be upheld. If one or more target(s) is disqualified, the remaining number of targets will be considered a full Round.
- 9.10.1.4 *Should range equipment be defective or a target face become unreasonably worn or otherwise damaged, an athlete or his Team*

Captain may appeal to the Judges to have the defective item replaced or remedied.

9.10.2 Questions concerning the conduct of the shooting or the conduct of an athlete must be lodged with the Judges before the next stage of the competition.

9.10.2.1 Questions regarding the daily-published results must be lodged with the Judges without any undue delay, and in any event must be lodged in time to allow corrections to be made before the prize giving.

9.11 APPEALS

9.11.1 In the event of an athlete not being satisfied with a ruling given by the Judges, he may, except as provided for in article 9.10.1 above, appeal to the Jury of Appeal according to article 3.13. Trophies or prizes which may be affected by a dispute will not be awarded until the Jury ruling has been given.

BOOK 4

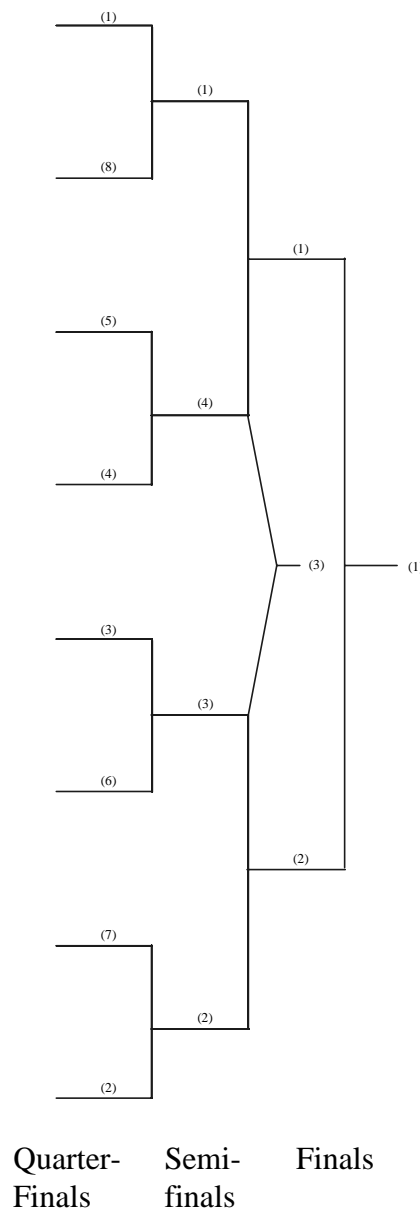
FITA CONSTITUTION AND RULES

APPENDIX 1 BOOK 4

1. COMPETITION – Seeding Diagram

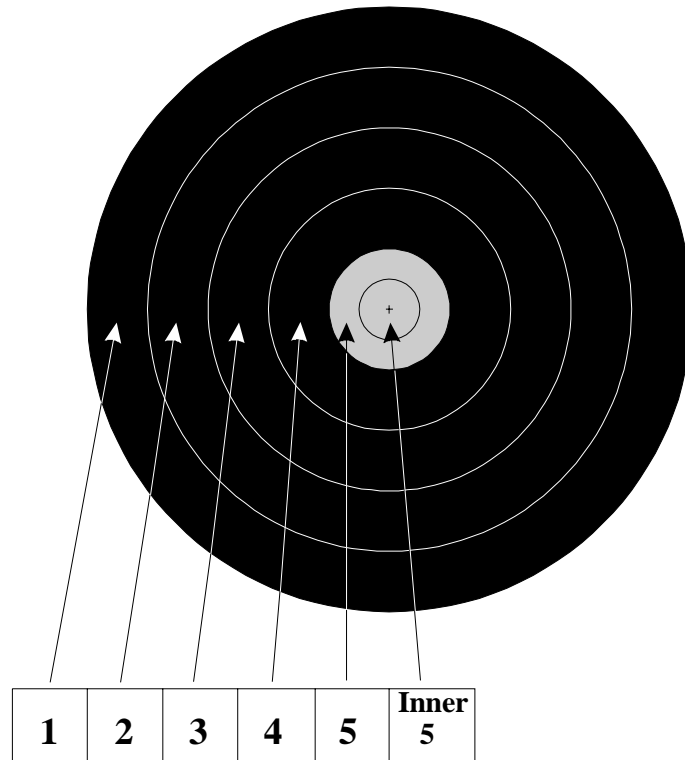
MATCH PLAY CHART TEAMS (Quarterfinals) (Article 4.5.3.6)

MATCH PLAY CHART TEAMS AND INDIVIDUALS (Semifinals and Finals)



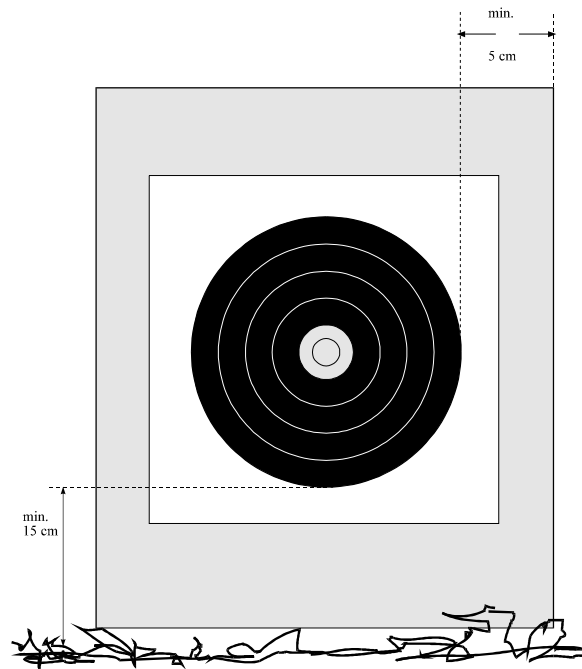
2. VENUE EQUIPMENT – Target Faces

1. THE FITA FIELD FACE
article 9.2.1

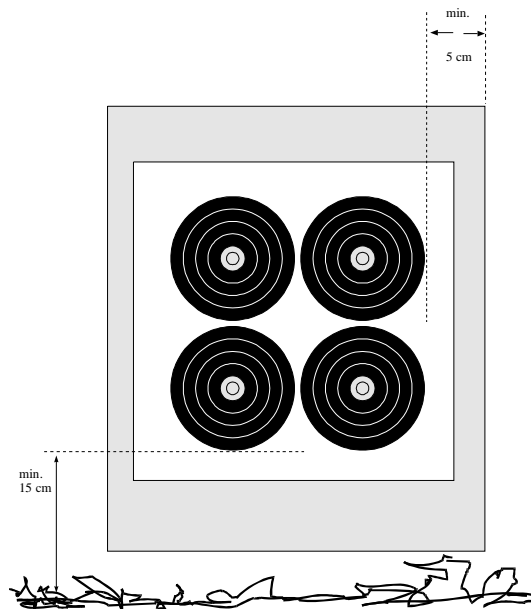


2. FIELD FACES

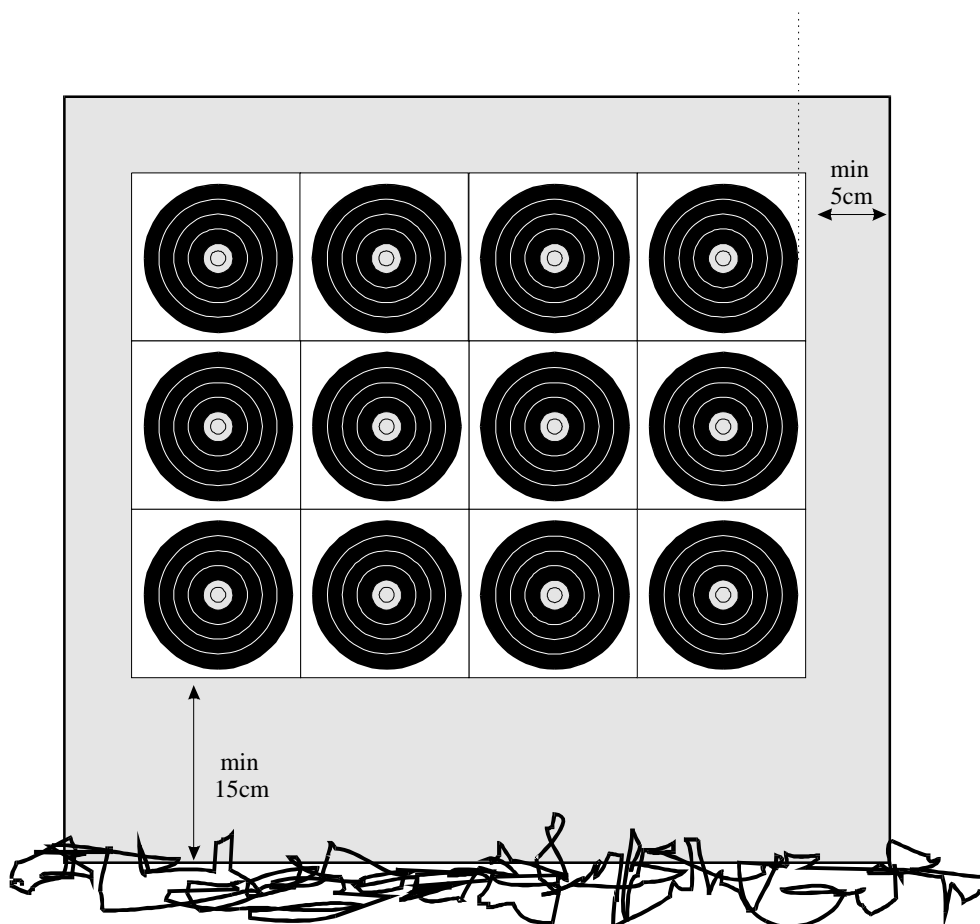
80 and 60 cm faces - article 9.1.1.9
correct set-up
see article 9.1.1.7 for two 60cm faces



40 cm faces - article 9.1.1.7
correct set-up



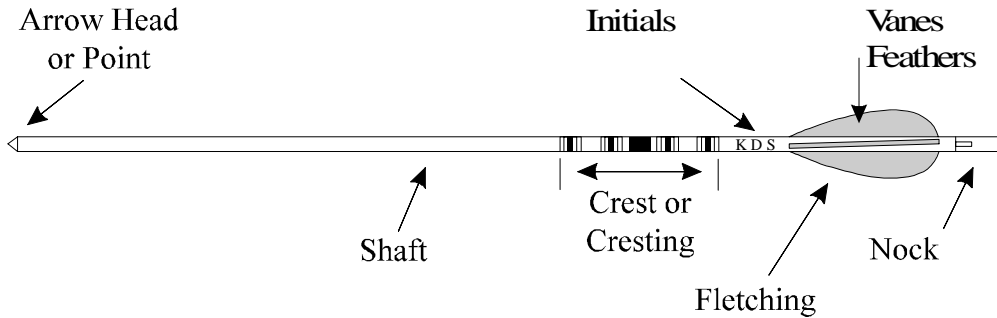
20cm faces - Article 9.1.1.7
correct set-up



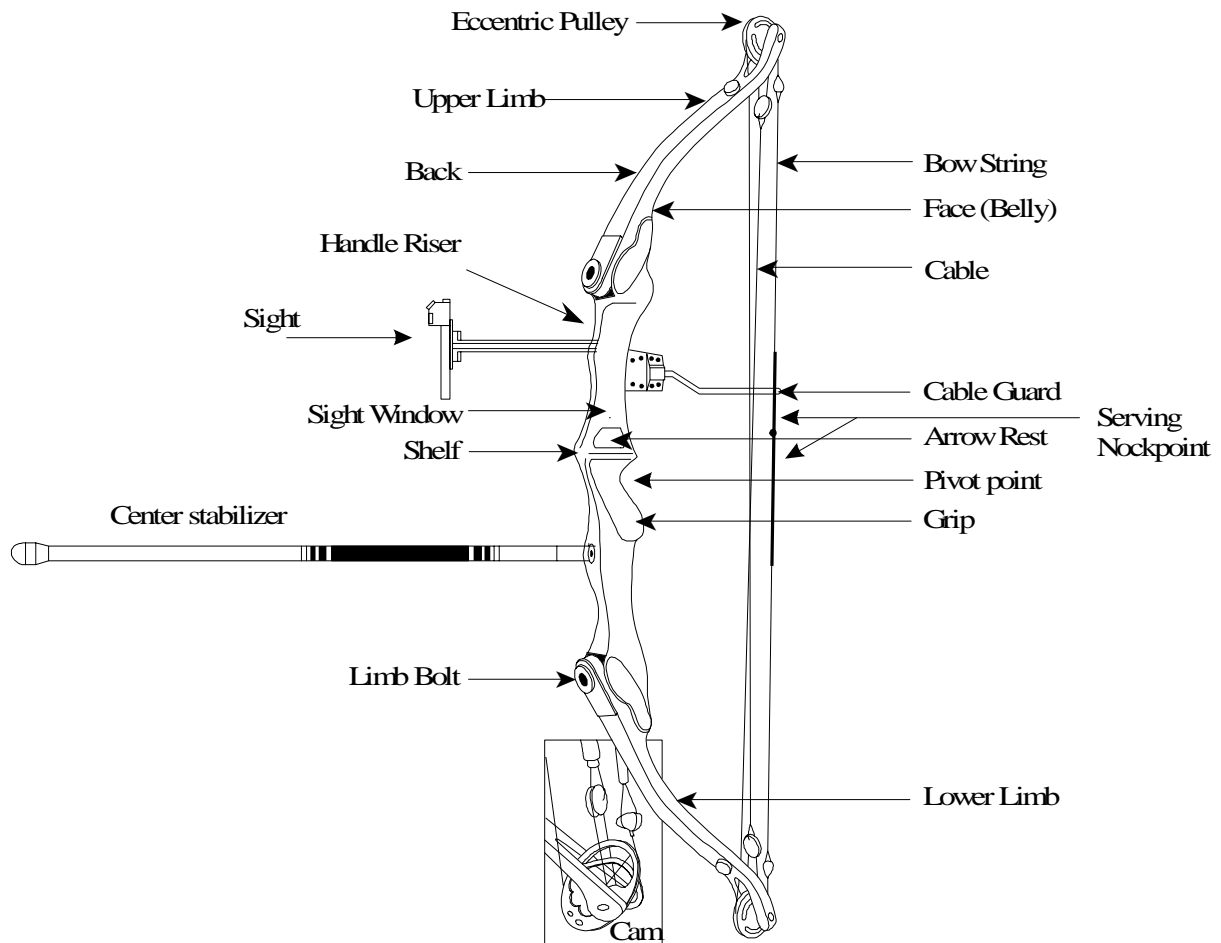
APPENDIX 2 BOOK 4

ATHLETES' EQUIPMENT

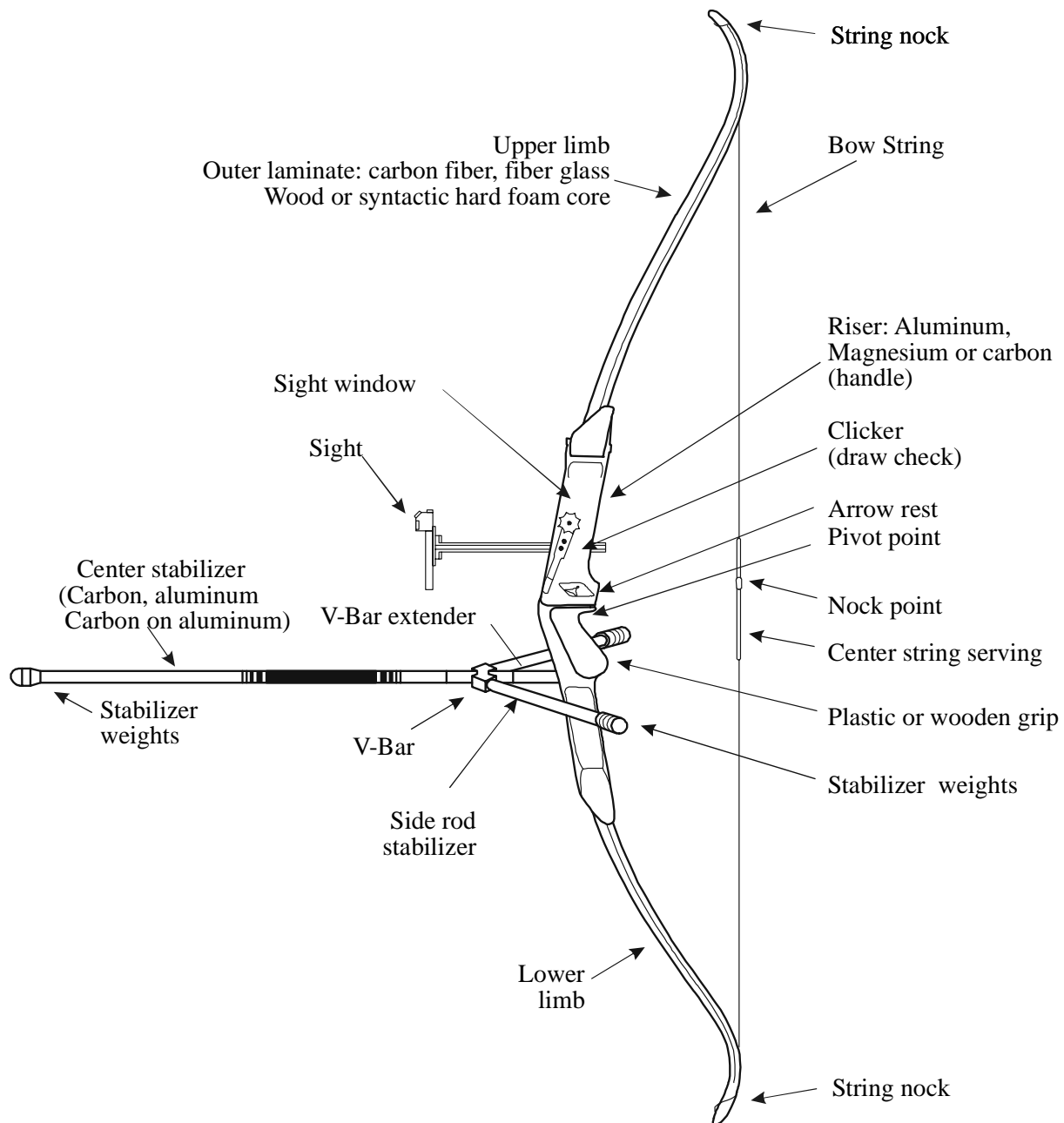
1. ARROW
article 9.3.7



2. COMPOUND BOW
Article 9.3.1.3 - 9.3.11.1-4



3. RECURVE BOW
article 9.3.1 - 9.3.11.1-4



MEMBER ASSOCIATIONS

FITA is proud to count the following countries among its members

Member Associations			
Acronym	Country		
ARG	Argentina/Argentine	ESA	El Salvador/El Salvador
ARM	Armenia/Arménie	ESP	Spain/Espagne
ASA	American Samoa/ Samoa Américaines	EST	Estonia/Estonie
AUS	Australia/Australie	FER	Faroe Islands/Iles Féroé
AUT	Austria/Autriche	FIJ	Fiji/Fidji
AZE	Azerbaijan/Azerbaïdjan	FIN	Finland/Finlande
BAN	Bangladesh	FPO	Tahiti/Tahiti
BAR	Barbados/Barbade	FRA	France/France
BEL	Belgium/Belgique	GBR	Great Britain/Grande Bretagne
BER	Bermuda/Bermudes	GEO	Georgia/Géorgie
BHU	Bhutan/Bhoutan	GER	Germany/Allemagne
BLR	Belarus/Bélarus	GHA	Ghana
BOT	Botswana	GRE	Greece/Grèce
BRA	Brazil/Brésil	GUA	Guatemala/Guatemala
BUL	Bulgaria/Bulgarie	GUM	Guam/Guam
CAF	Central African Republic/ République Centrafricaine	HKG	Hong Kong,China/ Hong Kong,Chine
CAM	Cambodia/Cambodge	HON	Honduras
CAN	Canada/Canada	HUN	Hungary/Hongrie
CHI	Chile/Chili	INA	Indonesia/Indonésie
CHN	People's Republic of China/ République Populaire de Chine	IND	India/Inde
CIV	Ivory Coast/Côte d'Ivoire	IRI	Islamic Republic of Iran/ République Islamique d'Iran
CMR	Cameroun	IRL	Ireland/Irlande
COL	Colombia/Colombie	IRQ	Iraq/Iraq
CRC	Costa Rica/Costa Rica	ISL	Islande/Iceland
CRO	Croatia/Croatie	ISR	Israel/Israël
CUB	Cuba/Cuba	ITA	Italy/Italie
CYP	Cyprus/Chypre	JPN	Japan/Japon
CZE	Czech Republic/ République Tchèque	KAZ	Kazakhstan/Kazakhstan
DEN	Denmark/Danemark	KEN	Kenya/Kenya
DOM	Dominican Republic/ République Dominicaine	KGZ	Kyrgyzstan/Kirghizistan
ECU	Ecuador/Equateur	KOR	Korea/Corée
EGY	Egypt/Egypte	KSA	Saudi Arabia/Arabie Saoudite
		KUW	Kuwait/Koweït
		LAO	Laos P.D.R.
		LAT	Latvia/Lettonie
		LBA	Libyan Arab Jamahiriya/ Jamahiriya Arabe Libyenne
		LIB	Lebanon/Liban
		LIE	Liechtenstein/Liechtenstein

ASSOCIATE MEMBERS

FITA wishes to thank its Associate Members for their support to the development of Archery

ARIZONA ARCHERY ENTERPRISES
ARROWHEAD U.K
ARTEMIS DECATHLON
ASAHI ARCHERY CO. LTD.
BAGAR & PILAR
BJORN BENGTON SWEDEN AB
BROWNING
CARBOTECH
EASTON TECHNICAL PRODUCTS
HOYT USA
ISHII ARCHERY CO. LTD.
JAN VAN DRUNEN BOGENCENTRUM BV
KINSEY'S ARCHERY PRODUCTS INC.
MAPLE LEAF PRESS INC.

OLYMPE INTERNATIONALE
ROSA INC.
WERNER BEITER TECHN.KUNSTS.
WIN & WIN ARCHERY CO.

The following Associate Members are
Official FITA Target Faces Makers:

Bjorn BENGSTON (SWE)
Maple Leaf Press (MI – USA)
J.V.D. Distribution (NED)
Olympe (FRA)
Artemis Decathlon (FRA)
Arrowhead (UK)

ADDENDUM

Following the decisions of Congress in New York the C&R Book has been updated. We have tried to improve the wording of many articles. Rule changes are highlighted by underlining the relevant passages.

1. For practical reasons the C&R Book has been divided into 5 Books.
 There will be 2 editions: one edition in one volume and an edition in which each book is printed separately.
 Since Archery Biathlon belongs to FITA again we include the rules as SKI-ARC.
 Book 1 - Constitution - Administration (Chapters 1-6) (new appendix5 and 12)
 Book 2 - Outdoor Target Archery (Chapter 7)
 Book 3 - Indoor Target Archery (Chapter 8)
 Book 4 - Field Archery (Chapter 9)
 Book 5 – Ski-Archery (Chapter 10) - Miscellaneous Rounds (Chapter 11)

2. Articles changed:

BOOK 1	2.4.1 + renumber	4.5.4	Book1 App. 5
		4.5.7	Anti-Doping
Chapter 1	Chapter 3	4.7.2	Rules new!!!
1.3.2.2		4.7.5	
1.3.2.3	3.1.1	4.7.8	Book1 App. 7
1.4.1	3.5.11	4.7.9	OC Rule 45
1.6.12	3.7.2		Bylaw 3
1.6.13	3.7.4	Chapter 5	OC Rule 61
1.9.3	3.7.4.1-3		Bylaw
1.9.4	3.13.2	5.1.1-7	Archery
1.12.6	3.16.1.2	5.3.1.1/2	Exemption
1.12.7	3.19.1.1/2	5.4.4	
1.13.5-8	3.20.6		Book1 App. 8
1.14.1		Chapter 6	Anti-Doping
1.14.4	Chapter 4	6.3.2.3	agreement
1.15		6.3.4.2 (new)	
1.15.7	4.1.1	6.5.1.1	Book1 App. 11
1.16.2.1	4.3.6		byes
1.17.2	4.3.7	Book1 App. 1	
1.19 (new – renumber rest)	4.4	4.1.1	Book1 App. 12
1.30.1	4.5.1.2	5.2	new
	4.5.1.4	5.2.5	
	4.5.1.5 (new)	renumber	Book1 App. 13
Chapter 2	4.5.1.6 (new)	5.2.15	new
2.1.5	renumber	6.6.1	
2.2.2	4.5.3.6.1		
2.2.5 new - renumber	renumber 2-6	Book1 App. 2	
2.3.1	4.5.3.10.1	1.3	
	4.5.3.12		

BOOKS 1-5

FITA CONSTITUTION AND RULES

BOOK 2	BOOK 3	BOOK 4	BOOK 5
Chapter 7	Chapter 8	Chapter 9	Chapter 10
7.1.1.1			new
7.2.4.2	8.1.1.4		
(old 7.5.4.7.2)	8.2.4.2	9.2.1.3	
7.3.1.5.3	(old 8.5.3.6.2)	9.3.5.1.3	Chapter 11
7.4.2.3 deleted, rest renumbered	8.3.1.5.3	9.5.1.14	11.6.2
7.4.2.8	8.4.2.3 del. renumber	9.6.3.1/2 (hits deleted)	11.6.4
7.4.2.9 part del.	8.4.2.8	9.8	11.6.7.5
7.5.4.7.2 deleted, rest renumbered	8.4.2.9	9.8.1.5	11.6.7.6
7.6.1.2	8.5.3.6.2 deleted rest renumbered	9.8.2.3	renumber
7.6.1.3	8.6.1.3-5	9.10.1.1	11.9 new
7.6.1.4-7	8.6.5.1/2 (hits deleted)		11.10 new
7.6.5.1/2 (hits deleted)	8.6.7		
7.6.7	8.8		
7.8	8.8.1.5		
7.8.1.5	8.8.2.3		
7.8.2.3	8.8.2.5		
7.8.2.5	8.8.3.2		
7.8.3.2	8.9.1.1		
7.9.1.1	8.10.1.1		
7.10.1.1	Appendix 1		
Appendix 1	Appendix 3 (hits)		
Appendix 3 (hits)			



FITA HEADQUARTERS
Avenue de Cour 135
1007 LAUSANNE
SWITZERLAND
e-mail: info@archery.org
homepage: <http://www.archery.org>

Published in 2004 by:

Fédération Internationale de Tir à l'Arc

Edited by:

FITA's Constitution and Rules Committee
Mr. Klaus-Dietrich Schulz, Chairman
Mr. Tom Dielen, Member
Mr. Mark Miller, Member
Mr. Giuseppe Cinnirella, Secretary General
with the assistance of Mr. Terry Reilly, Executive Director

